

ROECO

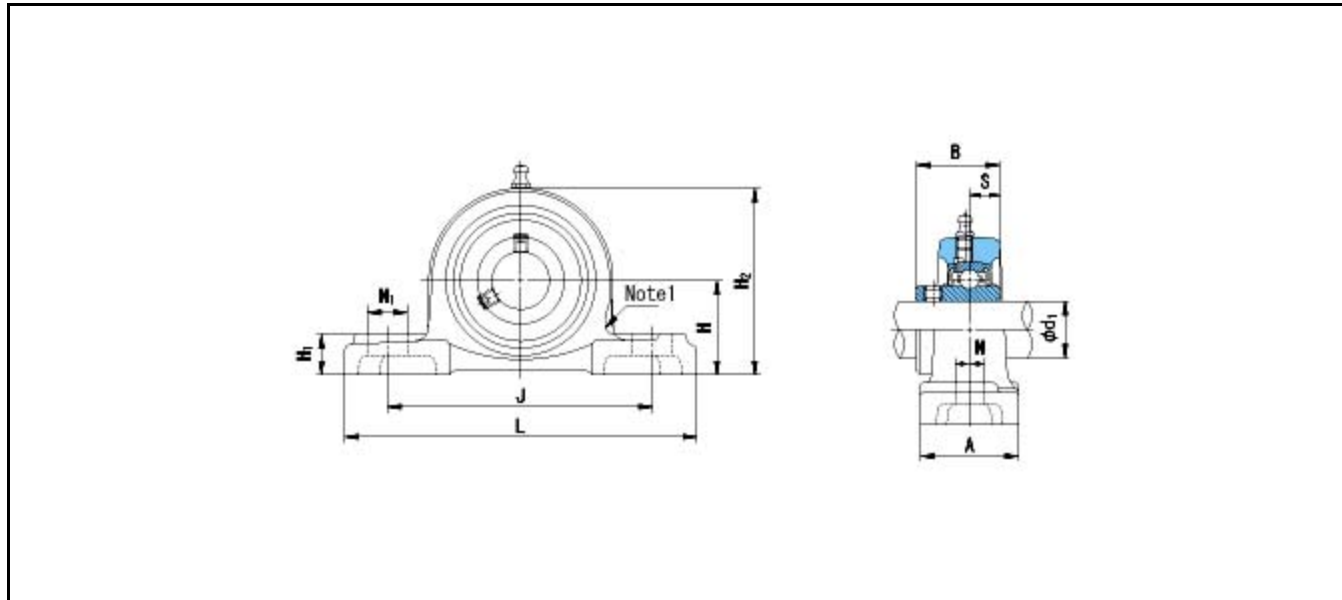
# Bearing Data

## Ball Bearing Units

Bearing No. : **UCP209**

Dimensions

H = 54  
L = 190  
J = 146  
N1 = 22  
H1 = 20  
H2 = 108



Dimensions

d1 = 45  
A = 54  
N = 17  
B = 49.2  
S = 19  
Mass = 2.3 kg

Basic Dynamic Load Rating Cr :	<b>33000 N</b>		<b>INNER RING</b>	<b>OUTER RING</b>
Basic Static Load Rating Cor :	<b>20500 N</b>	O.D.Surface Runout with Side :		-
Limiting Speed ;		Axial Runout with Bore :	-	-
Grease Lubrication :	- rpm	Axial Runout with Raceway :	-	-
Oil Lubrication :	- rpm	Width Variation :	-	-
		Radial Runout :	-	-