

ROECO

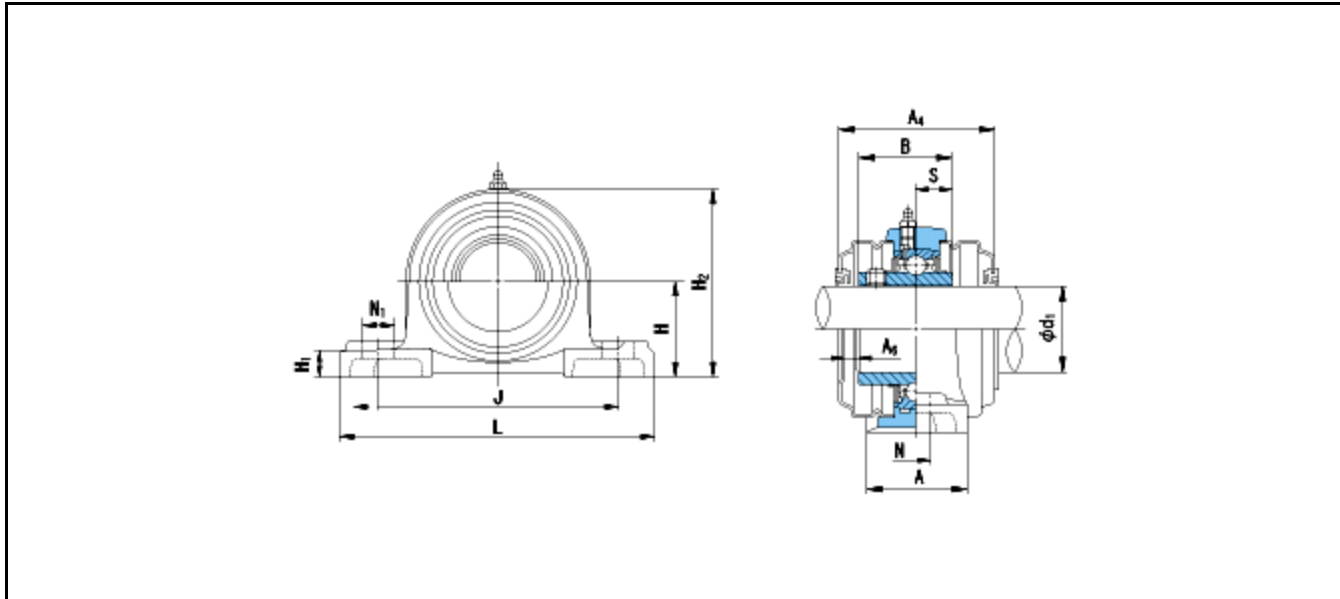
Bearing Data

Ball Bearing Units

Bearing No. : **UCP208C**

Dimensions

H = 49.2
L = 184
J = 137
N1 = 25
H1 = 19
H2 = 100



Dimensions

d1 = 40
A = 54
N = 17
B = 49.2
S = 19
A4 = 82
A6 = 10
Mass = 2.2 kg

Basic Dynamic Load Rating Cr :	29300 N	INNER RING	OUTER RING
Basic Static Load Rating Cor :	17900 N	O.D.Surface Runout with Side :	-
Limiting Speed ;		Axial Runout with Bore :	-
Grease Lubrication :	- rpm	Axial Runout with Raceway :	-
Oil Lubrication :	- rpm	Width Variation :	-
		Radial Runout :	-