

ROECO

Bearing Data

Ball Bearing Units

Bearing No. : **UCP207E**

Dimensions

H = 47.6

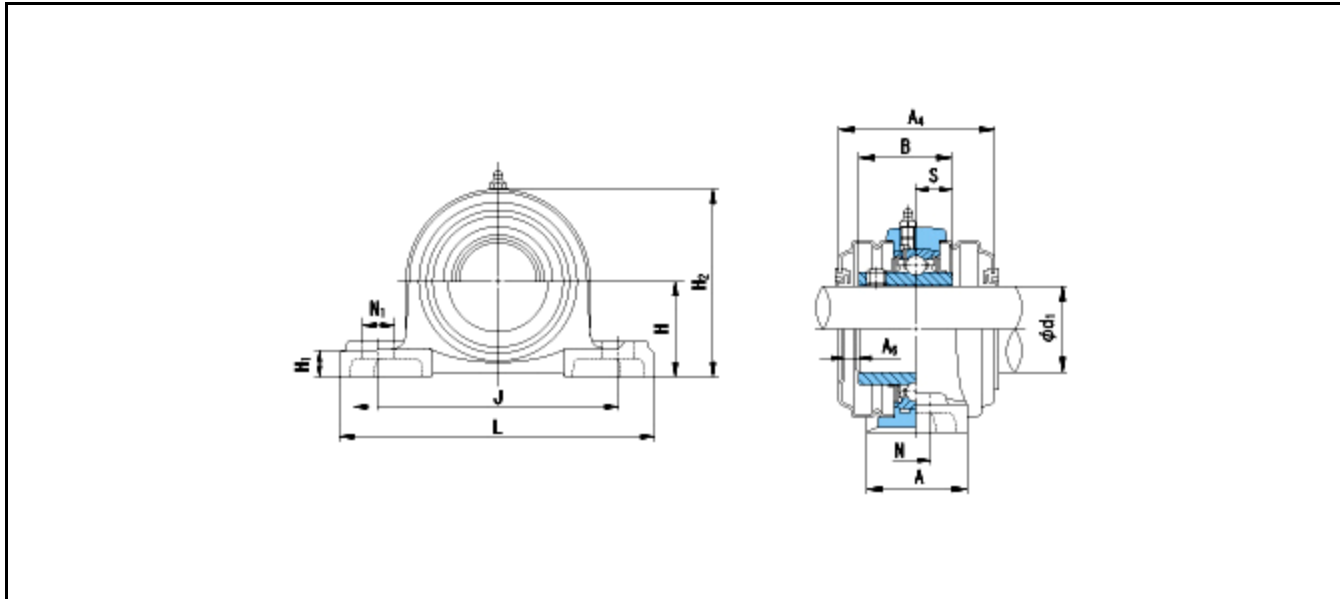
L = 167

J = 127

N1 = 21

H1 = 19

H2 = 94



Dimensions

d1 = 35

A = 48

N = 17

B = 42.9

S = 17.5

A4 = 70

A6 = 8

Mass = 1.7 kg

Basic Dynamic Load Rating Cr :	25900 N	INNER RING	OUTER RING
Basic Static Load Rating Cor :	15400 N	O.D.Surface Runout with Side :	-
Limiting Speed ;		Axial Runout with Bore :	-
Grease Lubrication :	- rpm	Axial Runout with Raceway :	-
Oil Lubrication :	- rpm	Width Variation :	-
		Radial Runout :	-