

ROECO

Bearing Data

Ball Bearing Units

Bearing No. : **UCP207**

Dimensions

H = 47.6

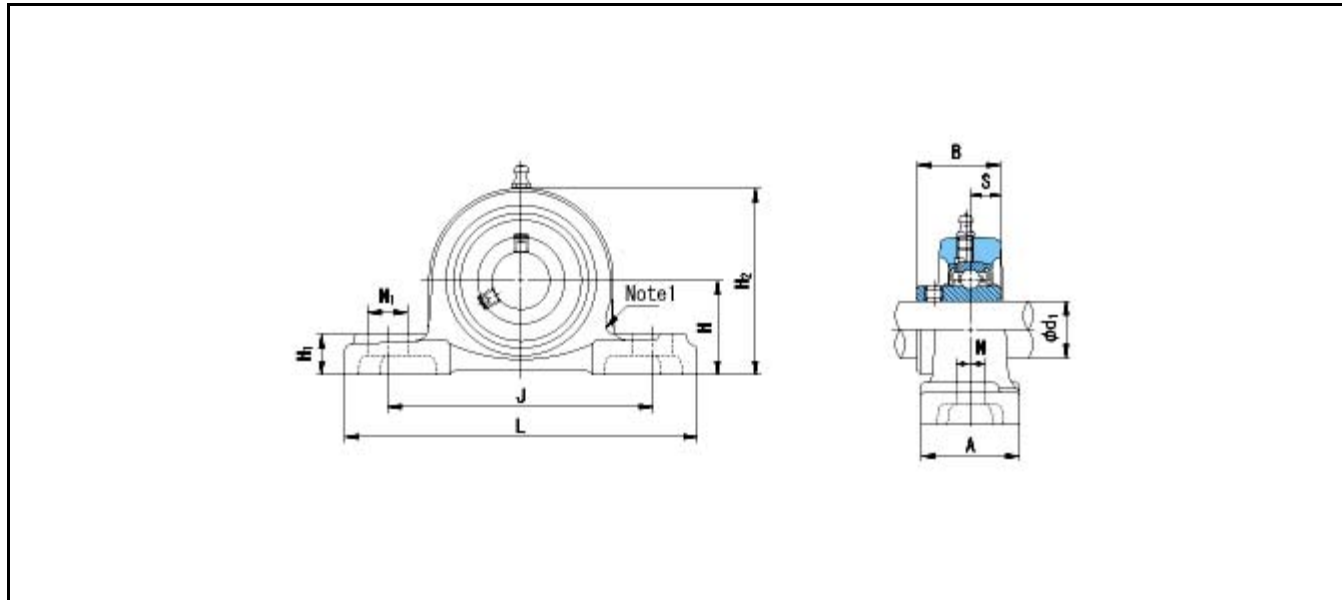
L = 167

J = 127

N1 = 21

H1 = 19

H2 = 94



Dimensions

d1 = 35

A = 48

N = 17

B = 42.9

S = 17.5

Mass = 1.6 kg

| | | | |
|--------------------------------|----------------|--------------------------------|------------|
| Basic Dynamic Load Rating Cr : | 25900 N | INNER RING | OUTER RING |
| Basic Static Load Rating Cor : | 15400 N | O.D.Surface Runout with Side : | - |
| Limiting Speed ; | | Axial Runout with Bore : | - |
| Grease Lubrication : | - rpm | Axial Runout with Raceway : | - |
| Oil Lubrication : | - rpm | Width Variation : | - |
| | | Radial Runout : | - |