

ROECO

# Bearing Data

## Ball Bearing Units

Bearing No. : **UCP206E**

Dimensions

H = 42.9

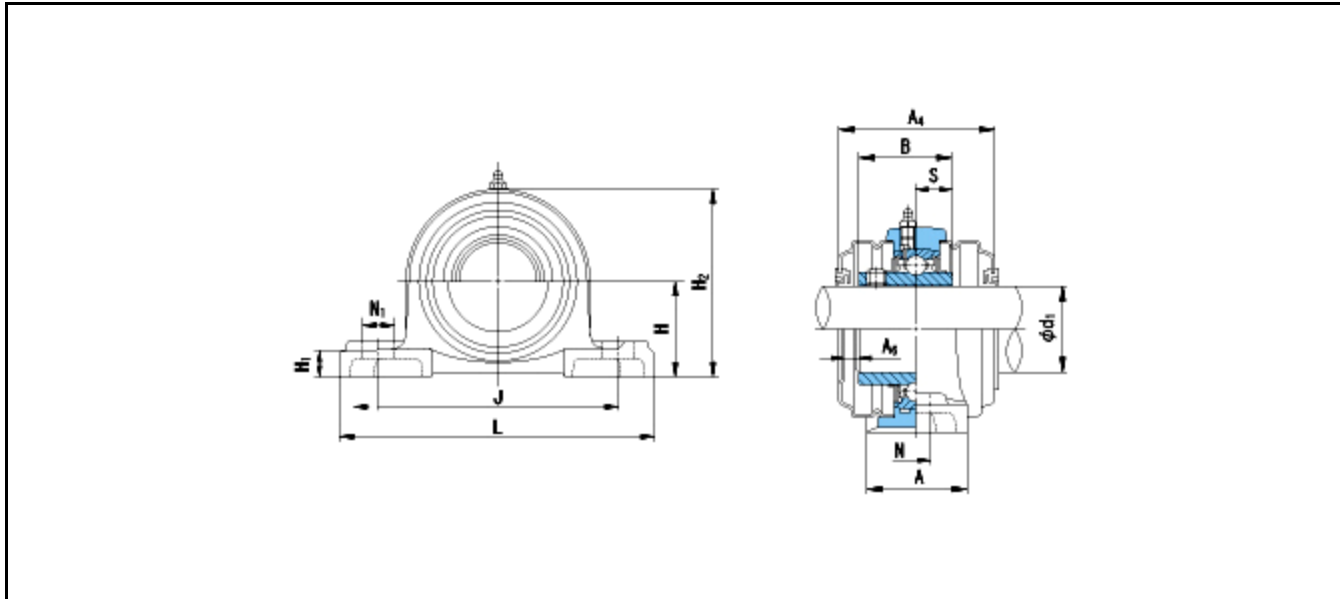
L = 165

J = 121

N1 = 21

H1 = 18

H2 = 83



Dimensions

d1 = 30

A = 48

N = 17

B = 38.1

S = 15.9

A4 = 65

A6 = 9

Mass = 1.4 kg

Basic Dynamic Load Rating Cr :	<b>19600 N</b>		<b>INNER RING</b>	<b>OUTER RING</b>
Basic Static Load Rating Cor :	<b>11300 N</b>	O.D.Surface Runout with Side :		-
Limiting Speed ;		Axial Runout with Bore :	-	-
Grease Lubrication :	- rpm	Axial Runout with Raceway :	-	-
Oil Lubrication :	- rpm	Width Variation :	-	-
		Radial Runout :	-	-