

ROECO

Bearing Data

Ball Bearing Units

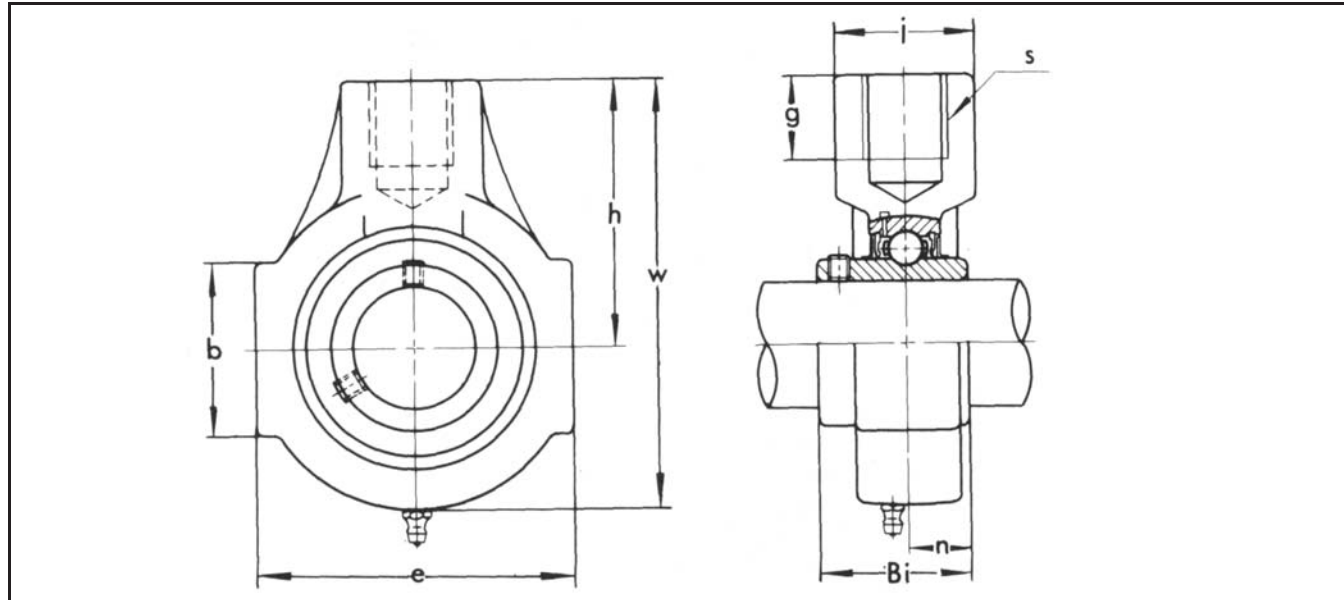
Bearing No. : **UCHB 209**

Dimensions

$g = 24$

$B_i = 49.2$

$n = 19$



Dimensions

$d_1 = 45$

$e = 110$

$w = 145$

$h = 90$

$b = 45$

$i = 40$

$s = M24$

Mass = 2.00 kg

Basic Dynamic Load Rating C_r : **32000 N**

Basic Static Load Rating C_{or} : **25700 N**

Limiting Speed ;

Grease Lubrication : - rpm

Oil Lubrication : - rpm

INNER RING OUTER RING

O.D.Surface Runout with Side : -

Axial Runout with Bore : -

Axial Runout with Raceway : -

Width Variation : -

Radial Runout : -