

ROECO

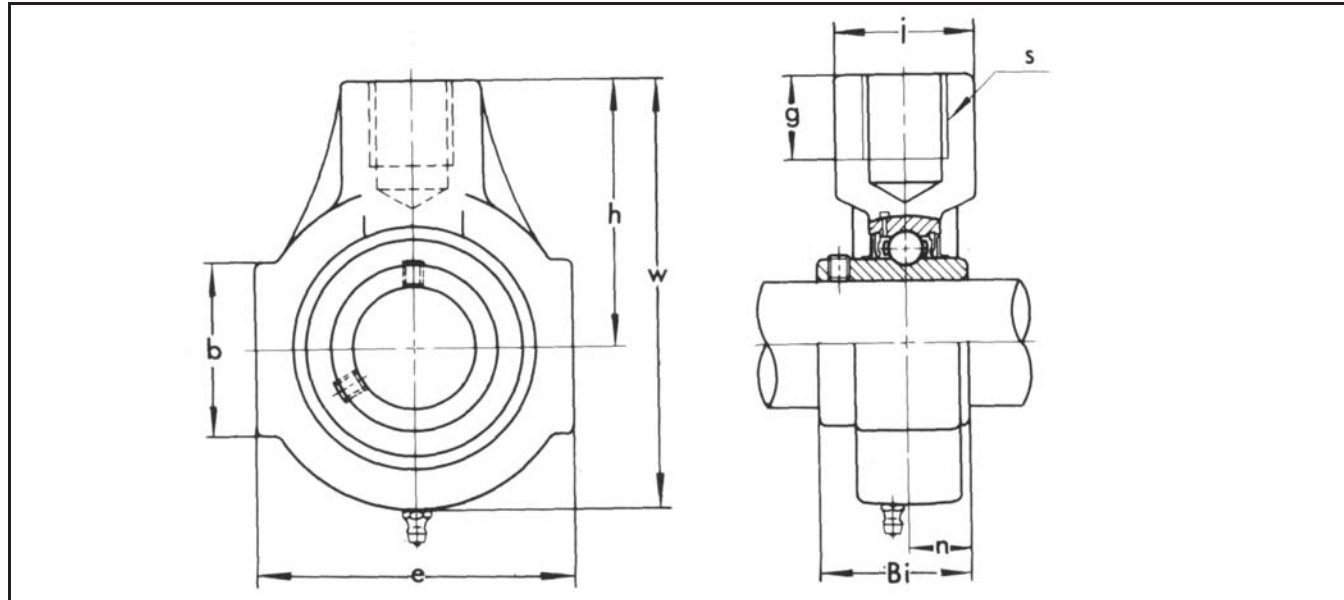
Bearing Data

Ball Bearing Units

Bearing No. : **UCHB 208**

Dimensions

g = 24
 Bi = 49.2
 n = 19



Dimensions

d1 = 40
 e = 100
 w = 135
 h = 85
 b = 45
 i = 40
 s = M24
 Mass = 1.80 kg

Basic Dynamic Load Rating Cr :	29700 N		
Basic Static Load Rating Cor :	23000 N	O.D.Surface Runout with Side :	-
Limiting Speed ;		Axial Runout with Bore :	-
Grease Lubrication :	- rpm	Axial Runout with Raceway :	-
Oil Lubrication :	- rpm	Width Variation :	-
		Radial Runout :	-

INNER RING OUTER RING