

ROECO

Bearing Data

Ball Bearing Units

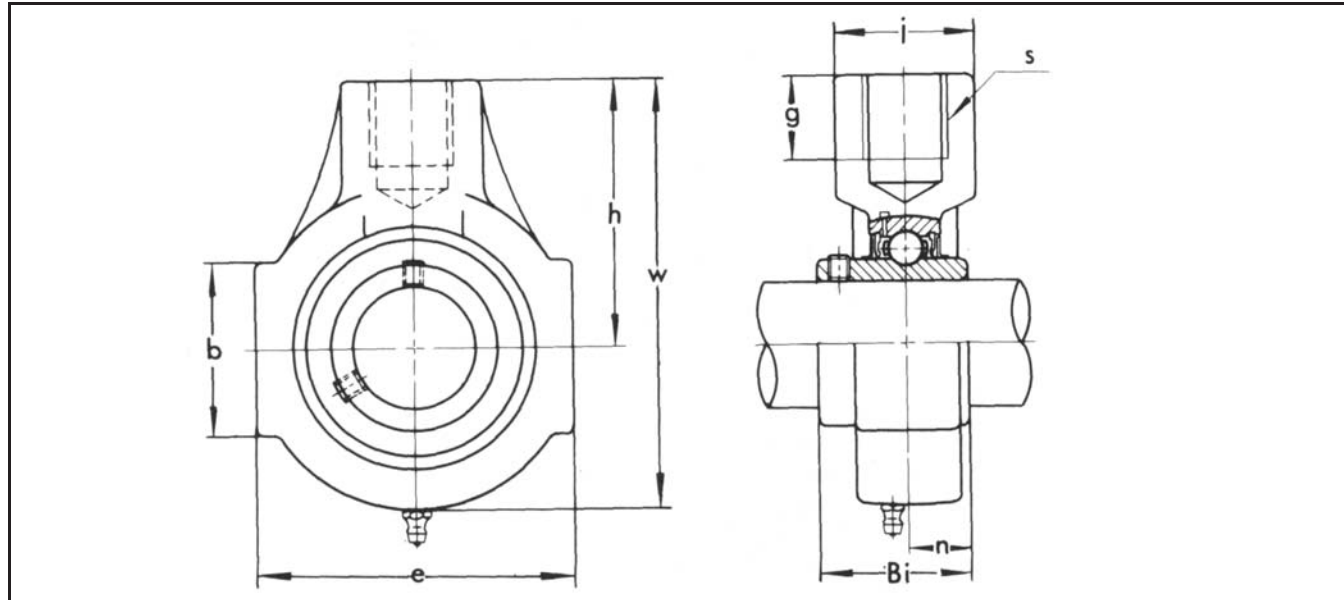
Bearing No. : **UCHB 203**

Dimensions

$g = 21$

$B_i = 31$

$n = 12.7$



Dimensions

$d_1 = 17$

$e = 65$

$w = 91$

$h = 58$

$b = 38$

$i = 30$

$s = M16$

Mass = 0.60 kg

Basic Dynamic Load Rating C_r :	13000 N		
Basic Static Load Rating C_{or} :	10100 N	O.D.Surface Runout with Side :	-
Limiting Speed ;		Axial Runout with Bore :	-
Grease Lubrication :	- rpm	Axial Runout with Raceway :	-
Oil Lubrication :	- rpm	Width Variation :	-
		Radial Runout :	-