

ROECO

Bearing Data

Ball Bearing Units

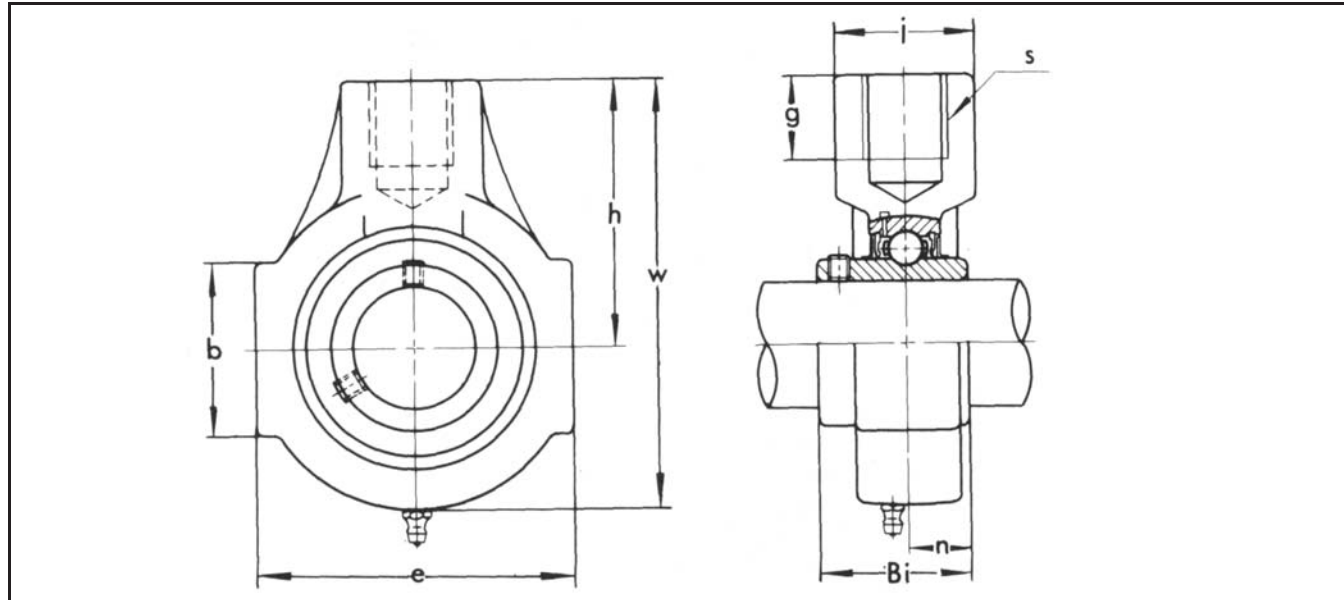
Bearing No. : **UCHB 201**

Dimensions

$g = 21$

$B_i = 31$

$n = 12.7$



Dimensions

$d1 = 12$

$e = 65$

$w = 91$

$h = 58$

$b = 38$

$i = 30$

$s = M16$

Mass = 0.60 kg

Basic Dynamic Load Rating C_r : **13000 N**

Basic Static Load Rating C_{or} : **10100 N**

Limiting Speed ;

Grease Lubrication : - rpm

Oil Lubrication : - rpm

INNER RING OUTER RING

O.D.Surface Runout with Side : -

Axial Runout with Bore : -

Axial Runout with Raceway : -

Width Variation : -

Radial Runout : -