

ROECO

Bearing Data

Ball Bearing Units

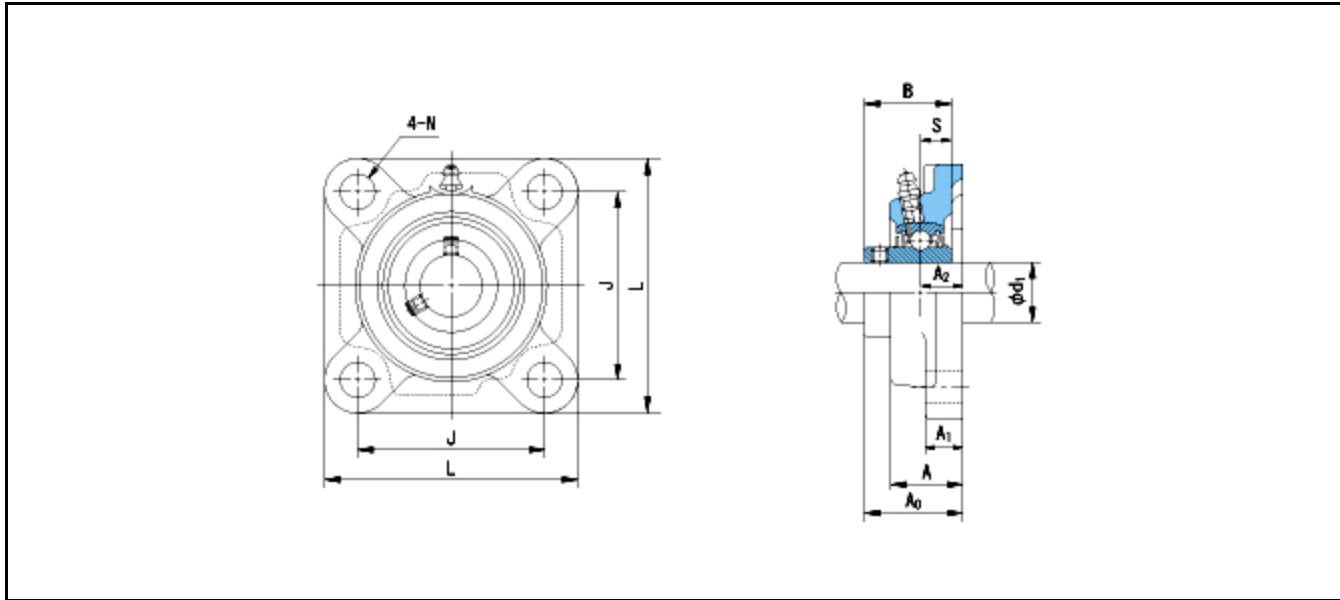
Bearing No. : **UCFX18**

Dimensions

L = 214

J = 171

N = 23



Dimensions

d1 = 90

A1 = 24

A2 = 45

B = 104

S = 42.9

A = 76

A0 = 106.1

Mass = 10.6 kg

Basic Dynamic Load Rating Cr :	109000 N			
Basic Static Load Rating Cor :	81600 N	O.D.Surface Runout with Side :		-
Limiting Speed ;		Axial Runout with Bore :		-
Grease Lubrication :	- rpm	Axial Runout with Raceway :		-
Oil Lubrication :	- rpm	Width Variation :		-
		Radial Runout :		-