

ROECO

# Bearing Data

## Ball Bearing Units

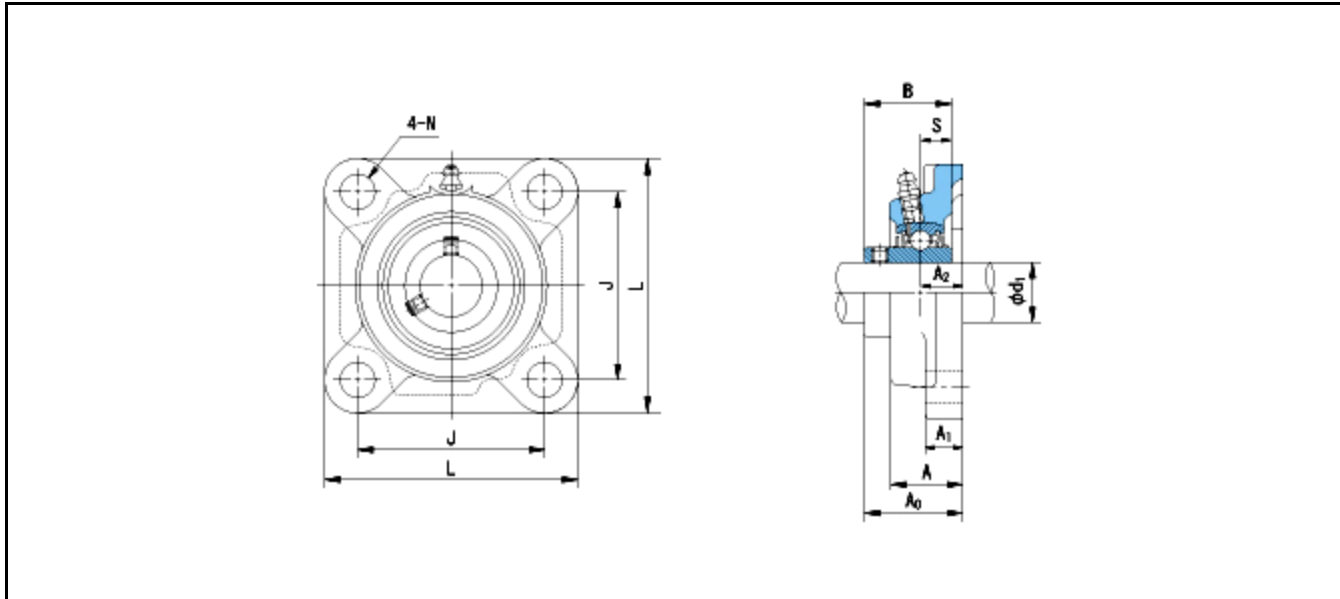
Bearing No. : **UCFX16**

Dimensions

L = 214

J = 171

N = 23



Dimensions

d1 = 80

A1 = 24

A2 = 40

B = 85.7

S = 34.1

A = 70

A0 = 91.6

Mass = 10.2 kg

Basic Dynamic Load Rating Cr :	<b>83500 N</b>				
Basic Static Load Rating Cor :	<b>61800 N</b>	O.D.Surface Runout with Side :			-
Limiting Speed ;		Axial Runout with Bore :			-
Grease Lubrication :	- rpm	Axial Runout with Raceway :			-
Oil Lubrication :	- rpm	Width Variation :			-
		Radial Runout :			-