

ROECO

Bearing Data

Ball Bearing Units

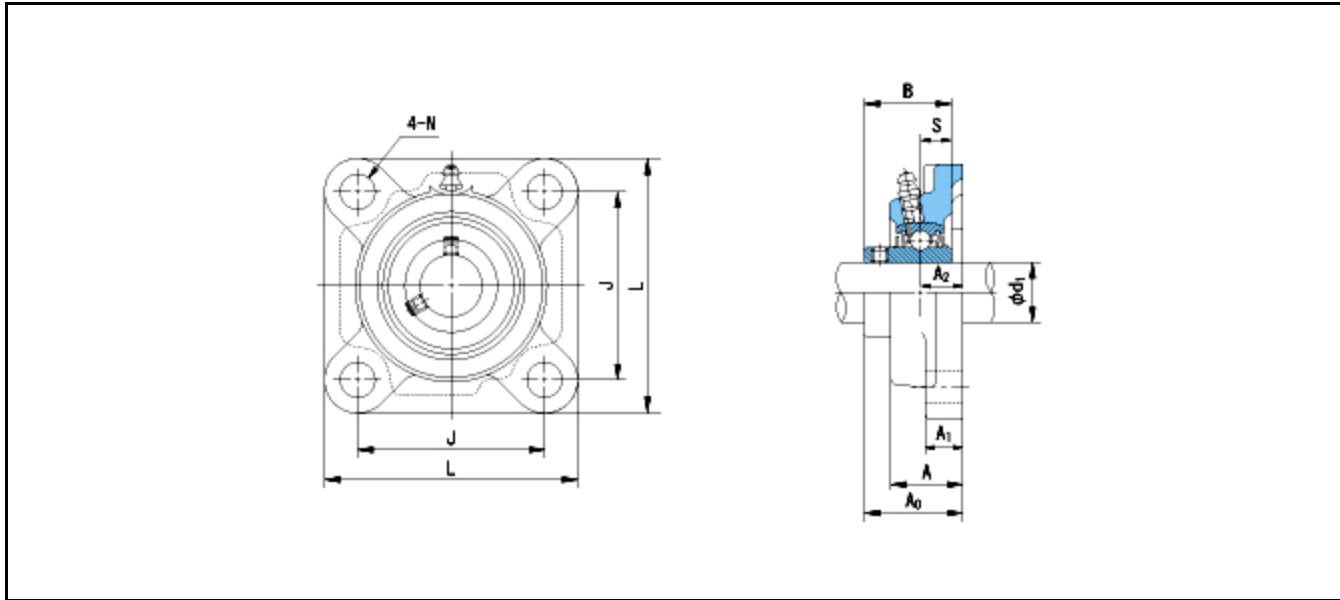
Bearing No. : **UCFX15**

Dimensions

L = 197

J = 152

N = 23



Dimensions

d1 = 75

A1 = 24

A2 = 40

B = 82.6

S = 33.3

A = 68

A0 = 89.3

Mass = 7.7 kg

Basic Dynamic Load Rating Cr :	72500 N			
Basic Static Load Rating Cor :	53000 N			
Limiting Speed ;				
Grease Lubrication :	- rpm			
Oil Lubrication :	- rpm			
			INNER RING	OUTER RING
		O.D.Surface Runout with Side :	-	-
		Axial Runout with Bore :	-	-
		Axial Runout with Raceway :	-	-
		Width Variation :	-	-
		Radial Runout :	-	-