

ROECO

Bearing Data

Ball Bearing Units

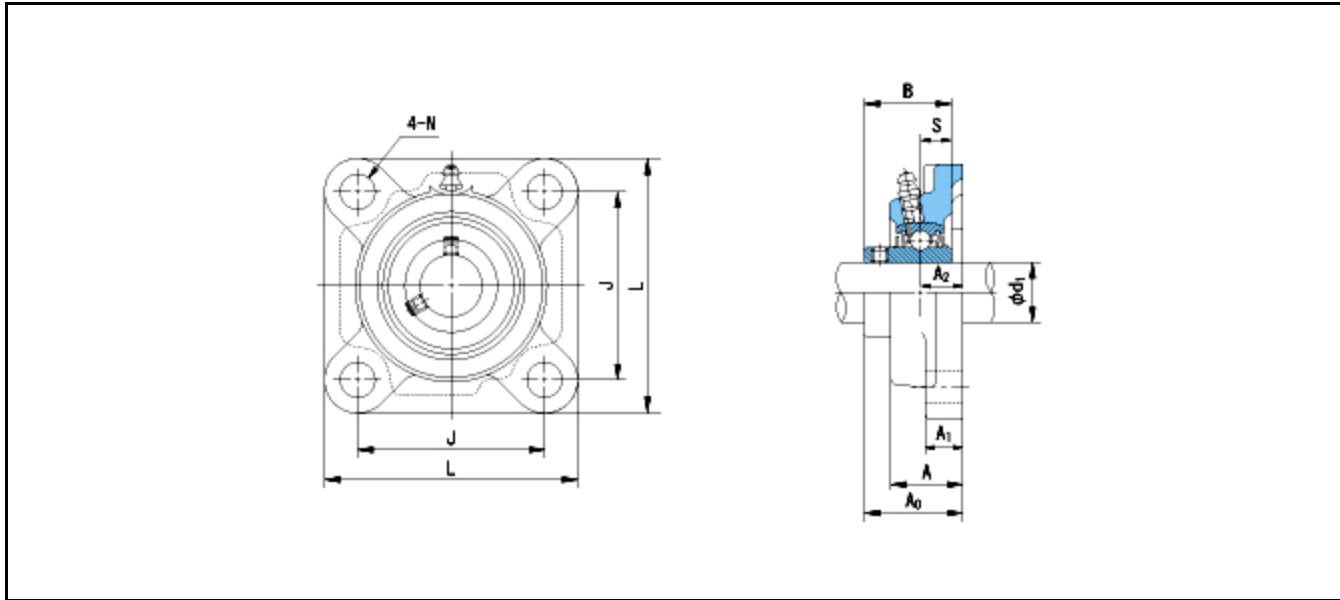
Bearing No. : **UCFX13**

Dimensions

L = 187

J = 149

N = 19



Dimensions

d1 = 65

A1 = 21

A2 = 34

B = 74.6

S = 30.2

A = 59

A0 = 78.4

Mass = 5.5 kg

Basic Dynamic Load Rating Cr :	62000 N			INNER RING	OUTER RING
Basic Static Load Rating Cor :	44000 N	O.D.Surface Runout with Side :			-
Limiting Speed ;		Axial Runout with Bore :		-	
Grease Lubrication :	- rpm	Axial Runout with Raceway :		-	-
Oil Lubrication :	- rpm	Width Variation :		-	-
		Radial Runout :		-	-