

ROECO

# Bearing Data

## Ball Bearing Units

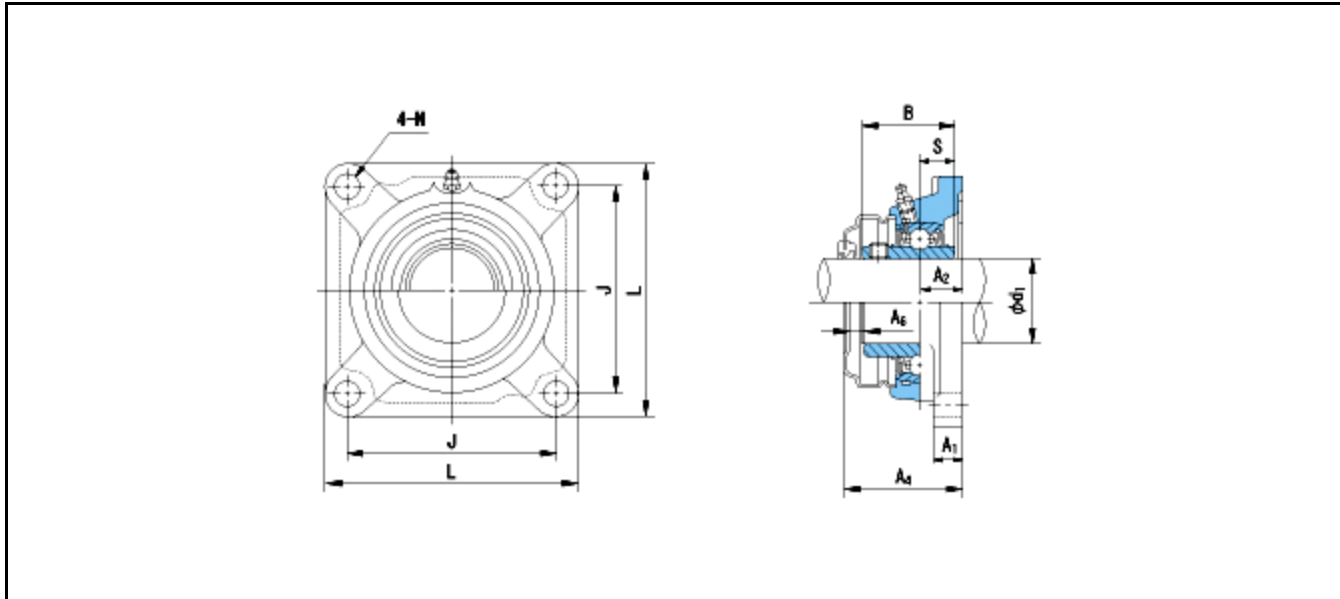
Bearing No. : **UCFX11E**

Dimensions

L = 175

J = 143

N = 19



Dimensions

d1 = 55

A1 = 20

A2 = 29

B = 65.1

S = 25.4

A4 = 79

A6 = 9

Mass = 4.6 kg

Basic Dynamic Load Rating Cr :	<b>52500 N</b>				
Basic Static Load Rating Cor :	<b>36100 N</b>	O.D.Surface Runout with Side :			-
Limiting Speed ;		Axial Runout with Bore :			-
Grease Lubrication :	- rpm	Axial Runout with Raceway :			-
Oil Lubrication :	- rpm	Width Variation :			-
		Radial Runout :			-