

ROECO

Bearing Data

Ball Bearing Units

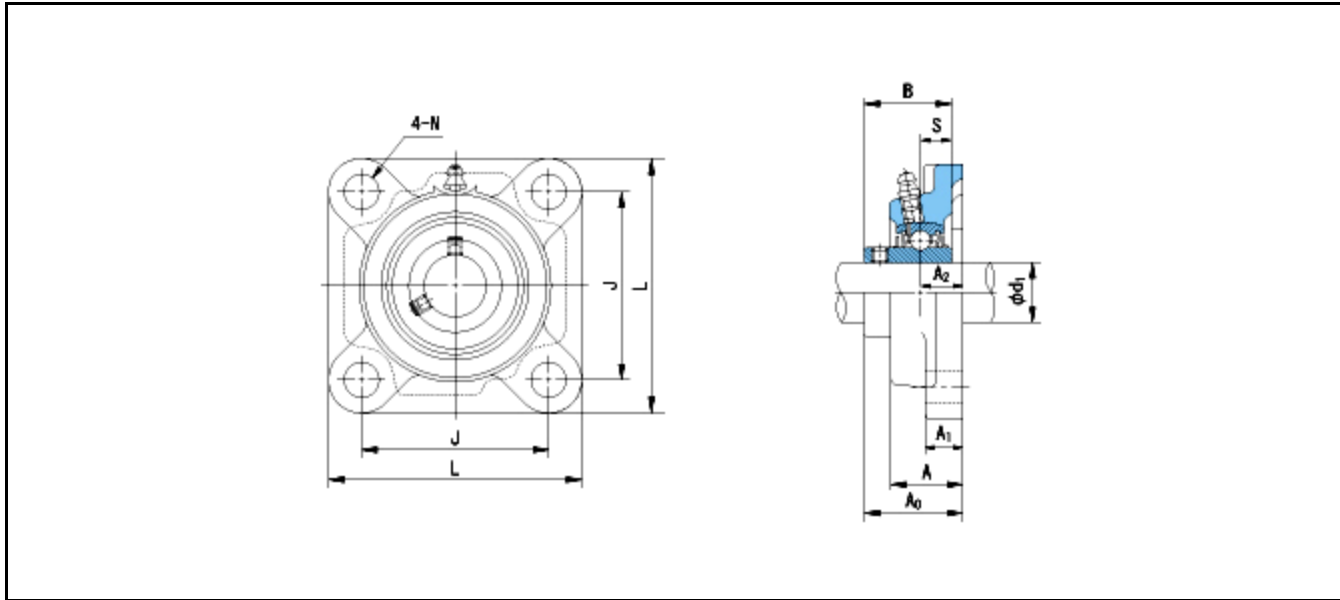
Bearing No. : **UCFX10**

Dimensions

L = 162

J = 130

N = 19



Dimensions

d1 = 50

A1 = 20

A2 = 26

B = 55.6

S = 22.2

A = 44

A0 = 59.4

Mass = 3.6 kg

Basic Dynamic Load Rating Cr : **43000 N**

Basic Static Load Rating Cor : **29400 N**

Limiting Speed ;

Grease Lubrication : - rpm

Oil Lubrication : - rpm

INNER RING OUTER RING

O.D.Surface Runout with Side : -

Axial Runout with Bore : -

Axial Runout with Raceway : -

Width Variation : -

Radial Runout : -