

ROECO

Bearing Data

Ball Bearing Units

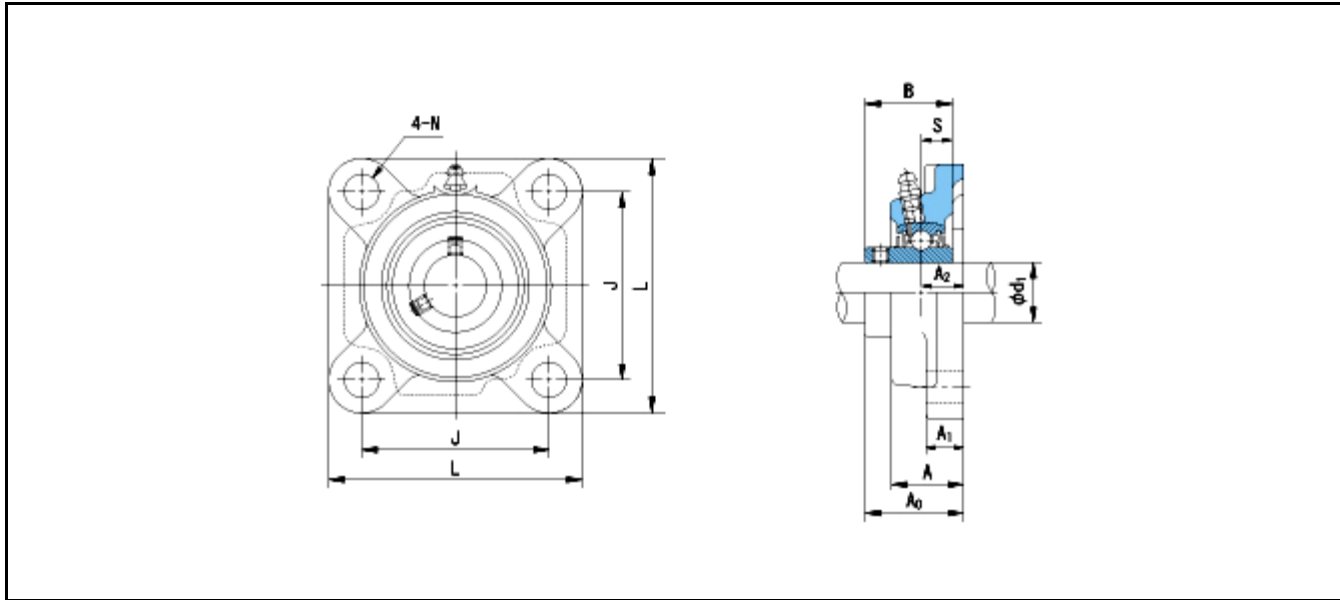
Bearing No. : **UCFX09**

Dimensions

L = 143

J = 111

N = 19



Dimensions

d1 = 45

A1 = 14

A2 = 23

B = 51.6

S = 19

A = 40

A0 = 55.6

Mass = 2.4 kg

Basic Dynamic Load Rating Cr :	35500 N				
Basic Static Load Rating Cor :	23200 N	O.D.Surface Runout with Side :			INNER RING OUTER RING
Limiting Speed ;		Axial Runout with Bore :	-		
Grease Lubrication :	- rpm	Axial Runout with Raceway :	-		
Oil Lubrication :	- rpm	Width Variation :	-		
		Radial Runout :	-		