

ROECO

Bearing Data

Ball Bearing Units

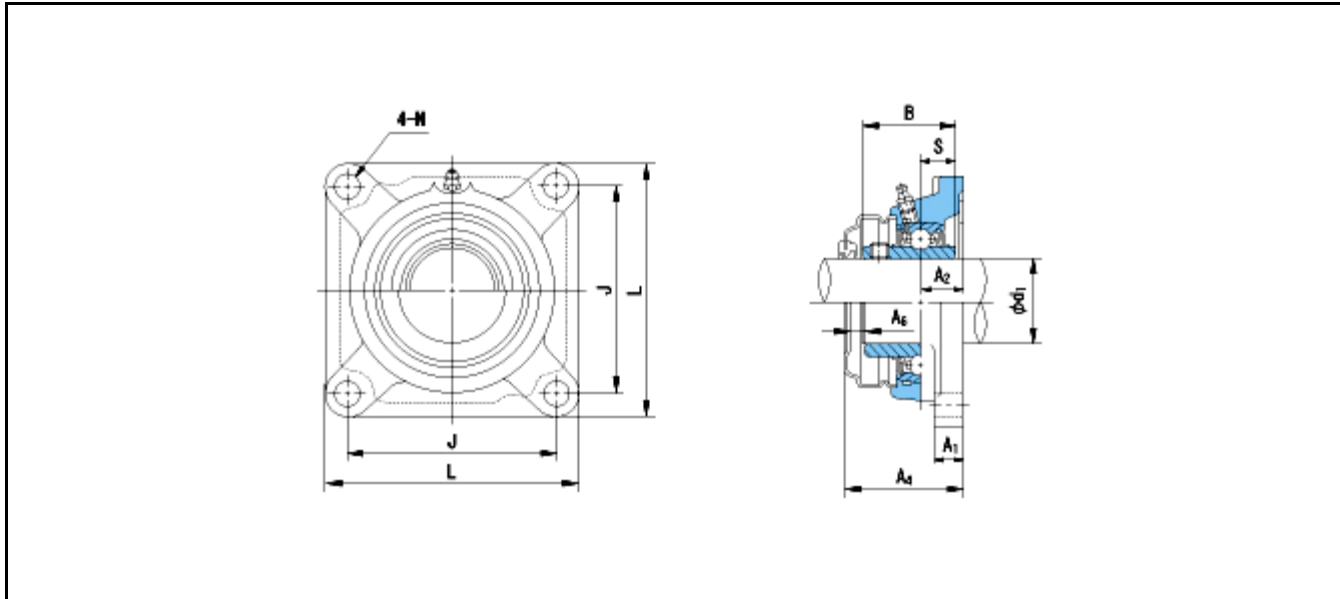
Bearing No. : **UCFX08E**

Dimensions

L = 137

J = 105

N = 19



Dimensions

d1 = 40

A1 = 14

A2 = 22

B = 49.2

S = 19

A4 = 63

A6 = 10

Mass = 1.8 kg

Basic Dynamic Load Rating Cr :	33000 N			
Basic Static Load Rating Cor :	20500 N	O.D.Surface Runout with Side :		-
Limiting Speed ;		Axial Runout with Bore :	-	
Grease Lubrication :	- rpm	Axial Runout with Raceway :	-	-
Oil Lubrication :	- rpm	Width Variation :	-	-
		Radial Runout :	-	-