

ROECO

Bearing Data

Ball Bearing Units

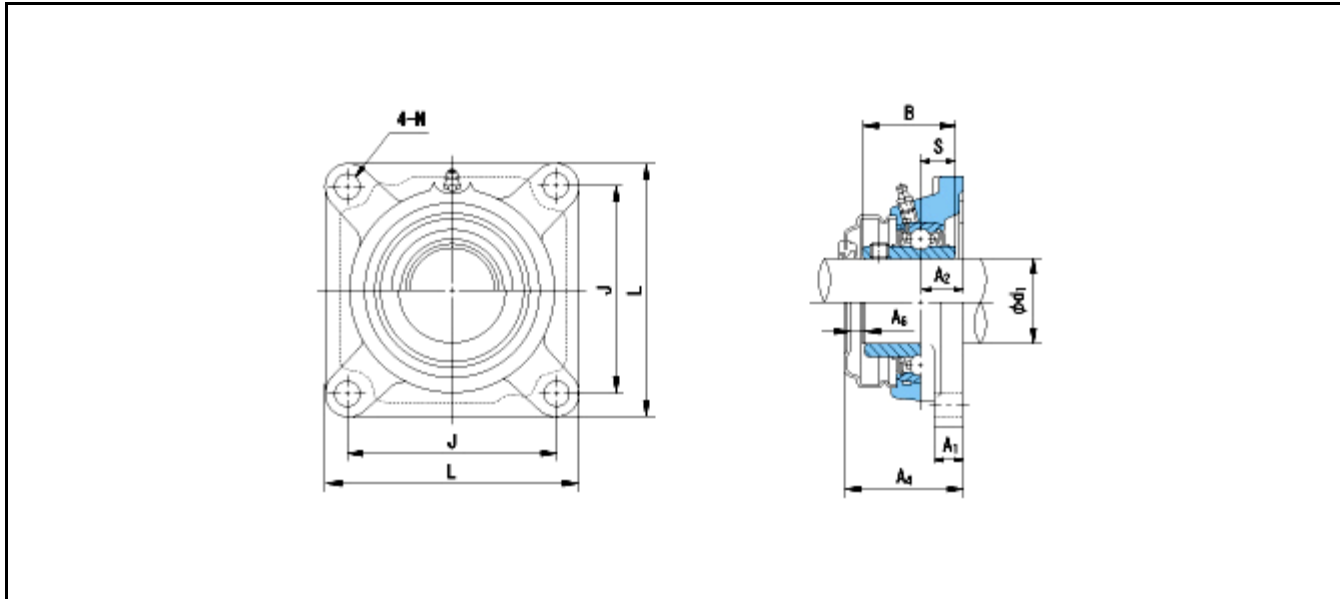
Bearing No. : **UCFX08C**

Dimensions

L = 137

J = 105

N = 19



Dimensions

d1 = 40

A1 = 14

A2 = 22

B = 49.2

S = 19

A4 = 63

A6 = 10

Mass = 1.8 kg

Basic Dynamic Load Rating Cr :	33000 N			INNER RING	OUTER RING
Basic Static Load Rating Cor :	20500 N	O.D.Surface Runout with Side :			-
Limiting Speed ;		Axial Runout with Bore :		-	
Grease Lubrication :	- rpm	Axial Runout with Raceway :		-	-
Oil Lubrication :	- rpm	Width Variation :		-	-
		Radial Runout :		-	-