

ROECO

Bearing Data

Ball Bearing Units

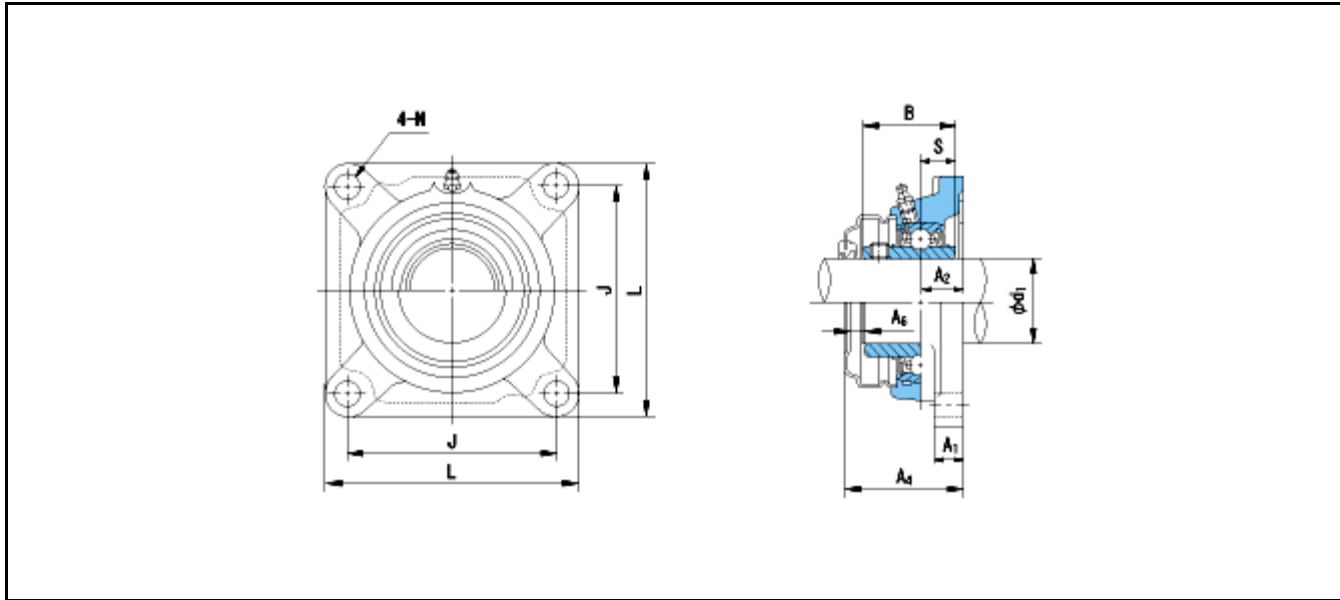
Bearing No. : **UCFX07E**

Dimensions

L = 130

J = 102

N = 16



Dimensions

d1 = 35

A1 = 14

A2 = 21

B = 49.2

S = 19

A4 = 63

A6 = 10

Mass = 1.8 kg

Basic Dynamic Load Rating Cr :	29300 N			
Basic Static Load Rating Cor :	17900 N	O.D.Surface Runout with Side :		-
Limiting Speed ;		Axial Runout with Bore :		-
Grease Lubrication :	- rpm	Axial Runout with Raceway :		-
Oil Lubrication :	- rpm	Width Variation :		-
		Radial Runout :		-