

ROECO

Bearing Data

Ball Bearing Units

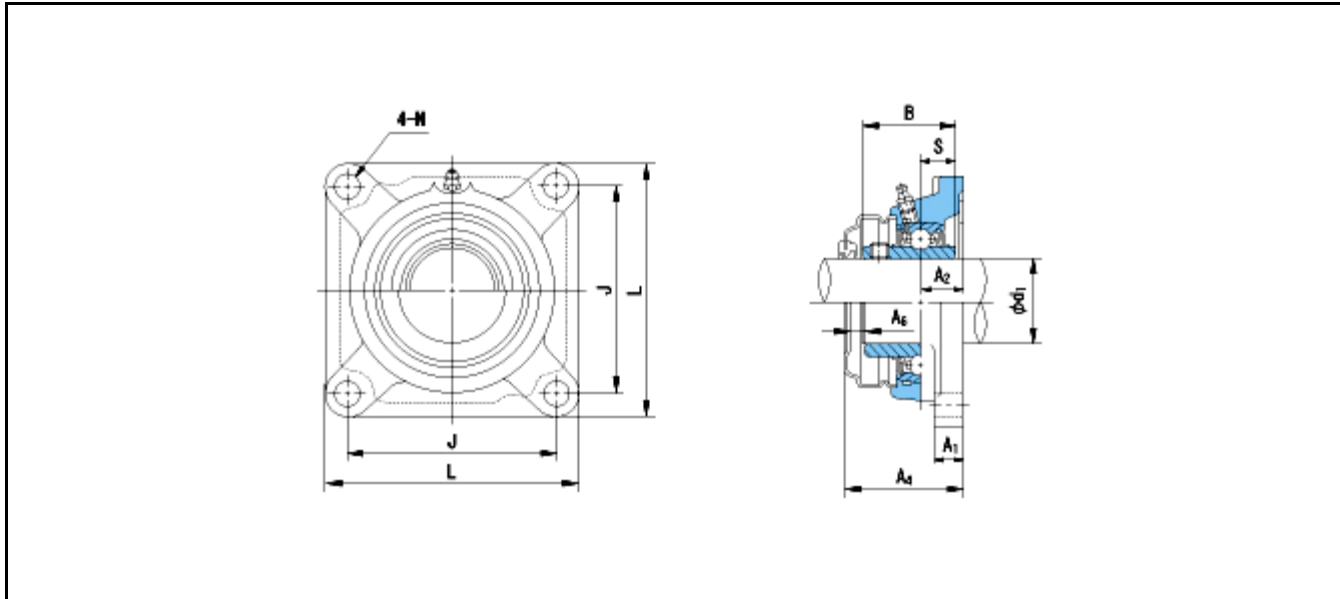
Bearing No. : **UCFX06E**

Dimensions

L = 117

J = 92

N = 16



Dimensions

d1 = 30

A1 = 14

A2 = 19

B = 42.9

S = 17.5

A4 = 54

A6 = 8

Mass = 1.3 kg

| | | | | | |
|--------------------------------|----------------|--------------------------------|--|--|---|
| Basic Dynamic Load Rating Cr : | 25900 N | | | | |
| Basic Static Load Rating Cor : | 15400 N | O.D.Surface Runout with Side : | | | - |
| Limiting Speed ; | | Axial Runout with Bore : | | | - |
| Grease Lubrication : | - rpm | Axial Runout with Raceway : | | | - |
| Oil Lubrication : | - rpm | Width Variation : | | | - |
| | | Radial Runout : | | | - |