

ROECO

# Bearing Data

## Ball Bearing Units

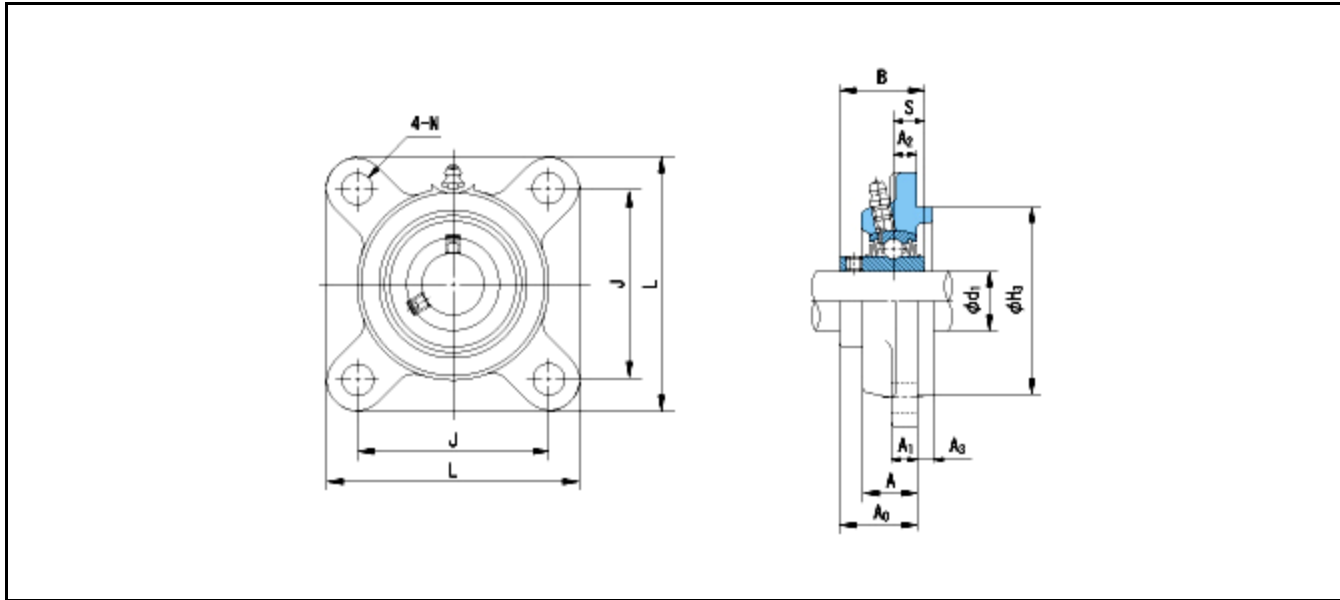
Bearing No. : **UCFS328**

Dimensions

L = 450

J = 350

N = 41



Dimensions

d1 = 140

A1 = 55

A2 = 45

H3 = 400

B = 145

S = 59

A = 95

A0 = 131

Mass = 96.3 kg

|                                |                 |                                |   |
|--------------------------------|-----------------|--------------------------------|---|
| Basic Dynamic Load Rating Cr : | <b>255000 N</b> |                                |   |
| Basic Static Load Rating Cor : | <b>246000 N</b> | O.D.Surface Runout with Side : | - |
| Limiting Speed ;               |                 | Axial Runout with Bore :       | - |
| Grease Lubrication :           | - rpm           | Axial Runout with Raceway :    | - |
| Oil Lubrication :              | - rpm           | Width Variation :              | - |
|                                |                 | Radial Runout :                | - |