

ROECO

# Bearing Data

## Ball Bearing Units

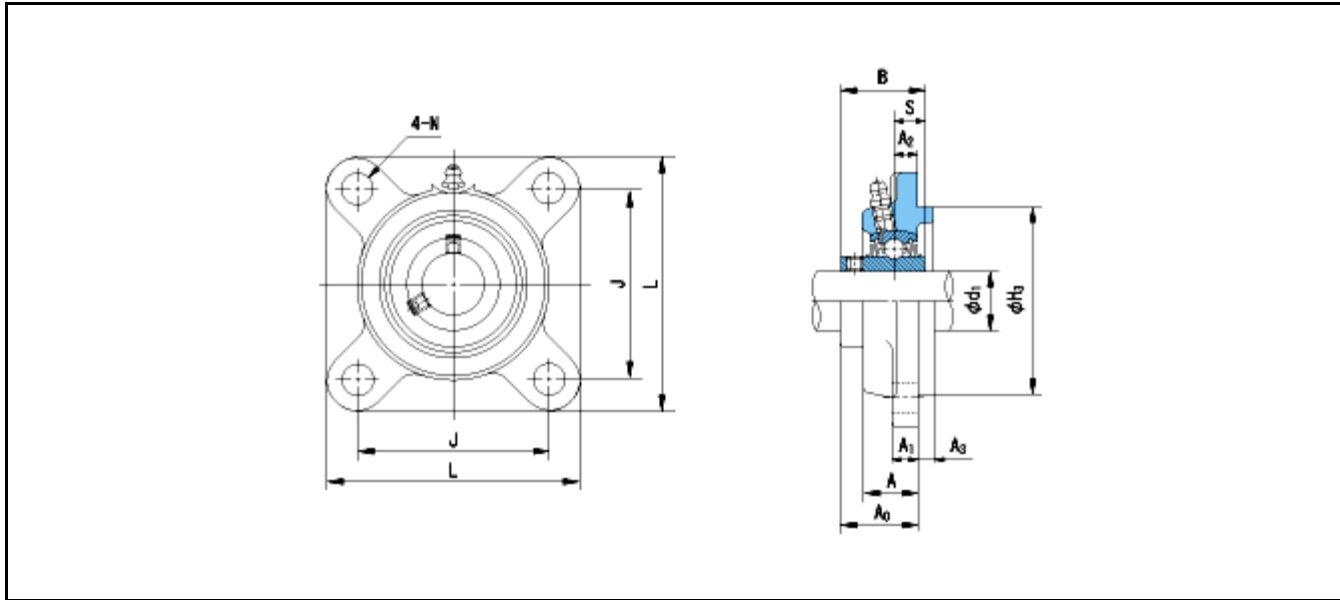
Bearing No. : UCFS326

Dimensions

L = 410

J = 320

N = 41



Dimensions

d1 = 130

A1 = 45

A2 = 35

H3 = 360

B = 135

S = 54

A = 85

A0 = 116

Mass = 67.8 kg

Basic Dynamic Load Rating Cr :	<b>229000 N</b>		
Basic Static Load Rating Cor :	<b>214300 N</b>	O.D.Surface Runout with Side :	-
Limiting Speed ;		Axial Runout with Bore :	-
Grease Lubrication :	- rpm	Axial Runout with Raceway :	-
Oil Lubrication :	- rpm	Width Variation :	-
		Radial Runout :	-