

ROECO

# Bearing Data

## Ball Bearing Units

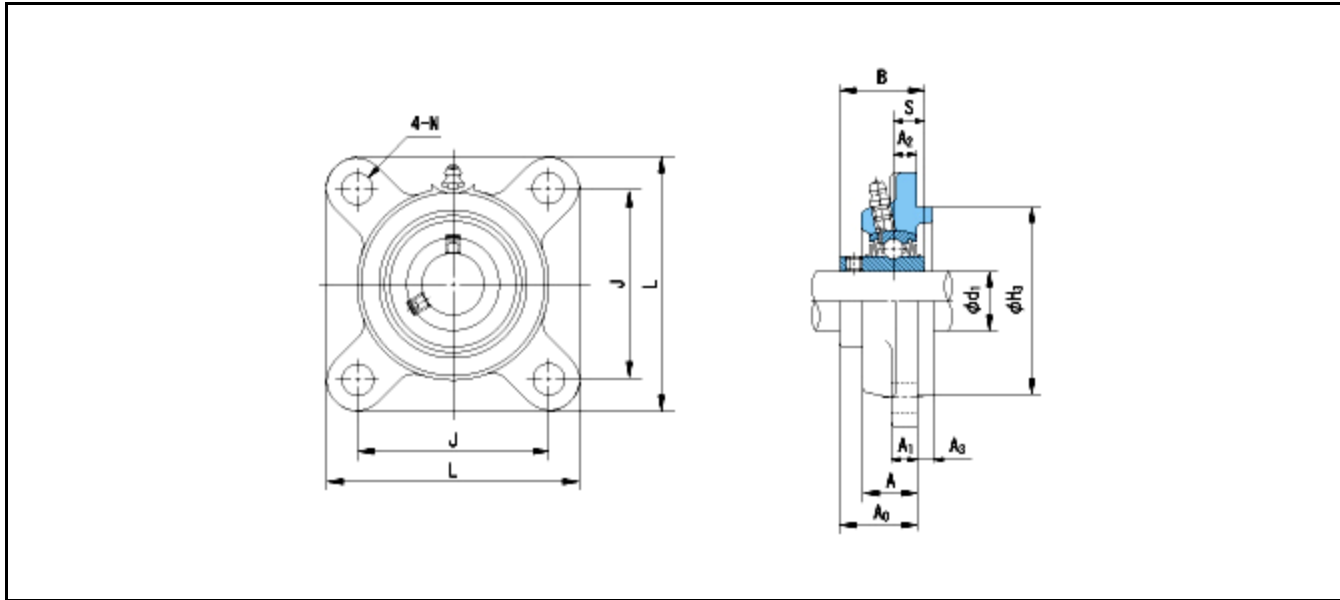
Bearing No. : **UCFS321**

Dimensions

L = 310

J = 242

N = 38



Dimensions

d1 = 105

A1 = 32

A2 = 39

H3 = 260

B = 112

S = 44

A = 74

A0 = 107

Mass = 28.5 kg

Basic Dynamic Load Rating Cr : **183000 N**

Basic Static Load Rating Cor : **153100 N**

Limiting Speed ;

Grease Lubrication : - rpm

Oil Lubrication : - rpm

**INNER RING OUTER RING**

O.D.Surface Runout with Side : -

Axial Runout with Bore : -

Axial Runout with Raceway : -

Width Variation : -

Radial Runout : -