

ROECO

Bearing Data

Ball Bearing Units

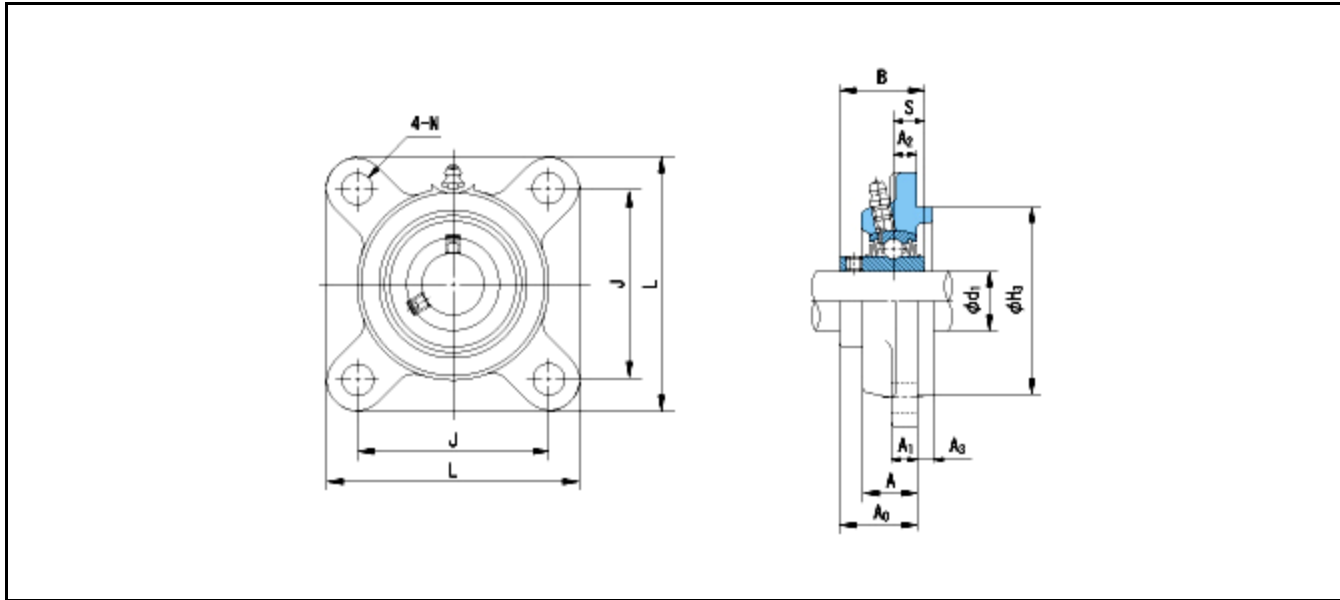
Bearing No. : **UCFS319**

Dimensions

L = 290

J = 228

N = 35



Dimensions

d1 = 95

A1 = 30

A2 = 39

H3 = 250

B = 103

S = 41

A = 74

A0 = 101

Mass = 23.9 kg

Basic Dynamic Load Rating Cr :	153000 N		
Basic Static Load Rating Cor :	118400 N	O.D.Surface Runout with Side :	-
Limiting Speed ;		Axial Runout with Bore :	-
Grease Lubrication :	- rpm	Axial Runout with Raceway :	-
Oil Lubrication :	- rpm	Width Variation :	-
		Radial Runout :	-

INNER RING OUTER RING