

ROECO

# Bearing Data

## Ball Bearing Units

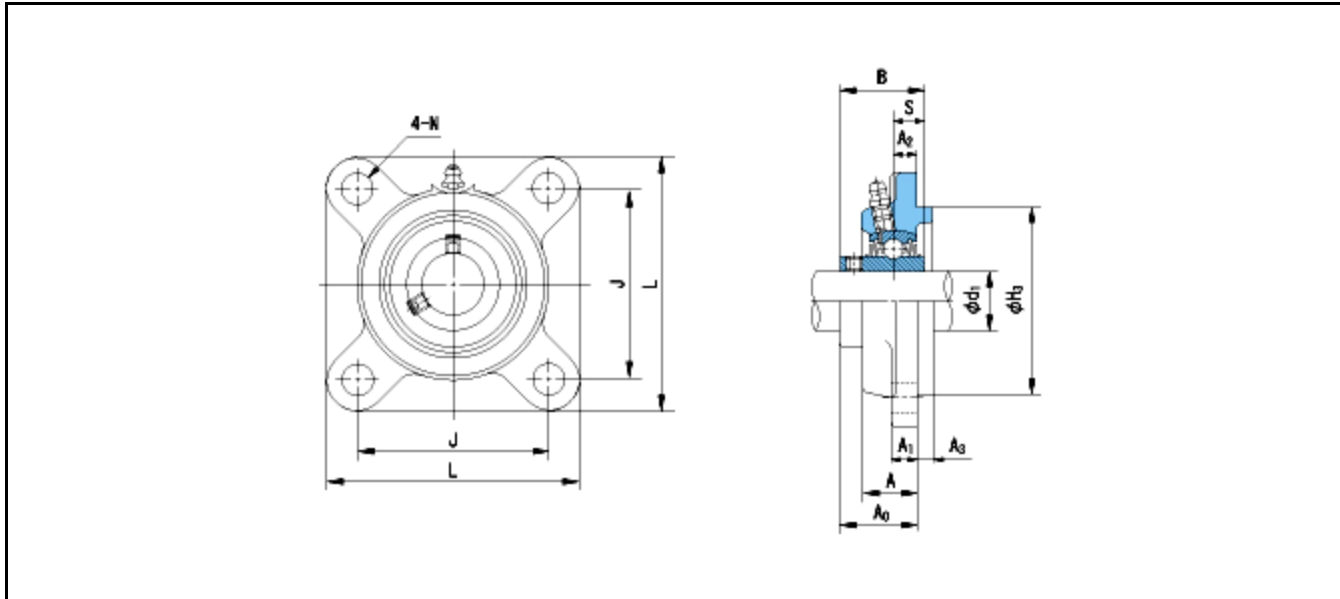
Bearing No. : **UCFS317**

Dimensions

L = 260

J = 204

N = 31



Dimensions

d1 = 85

A1 = 27

A2 = 24

H3 = 220

B = 96

S = 40

A = 54

A0 = 80

Mass = 17.2 kg

Basic Dynamic Load Rating Cr :	<b>132000 N</b>		<b>INNER RING</b>	<b>OUTER RING</b>
Basic Static Load Rating Cor :	<b>96500 N</b>	O.D.Surface Runout with Side :		-
Limiting Speed ;		Axial Runout with Bore :	-	-
Grease Lubrication :	- rpm	Axial Runout with Raceway :	-	-
Oil Lubrication :	- rpm	Width Variation :	-	-
		Radial Runout :	-	-