

ROECO

# Bearing Data

## Ball Bearing Units

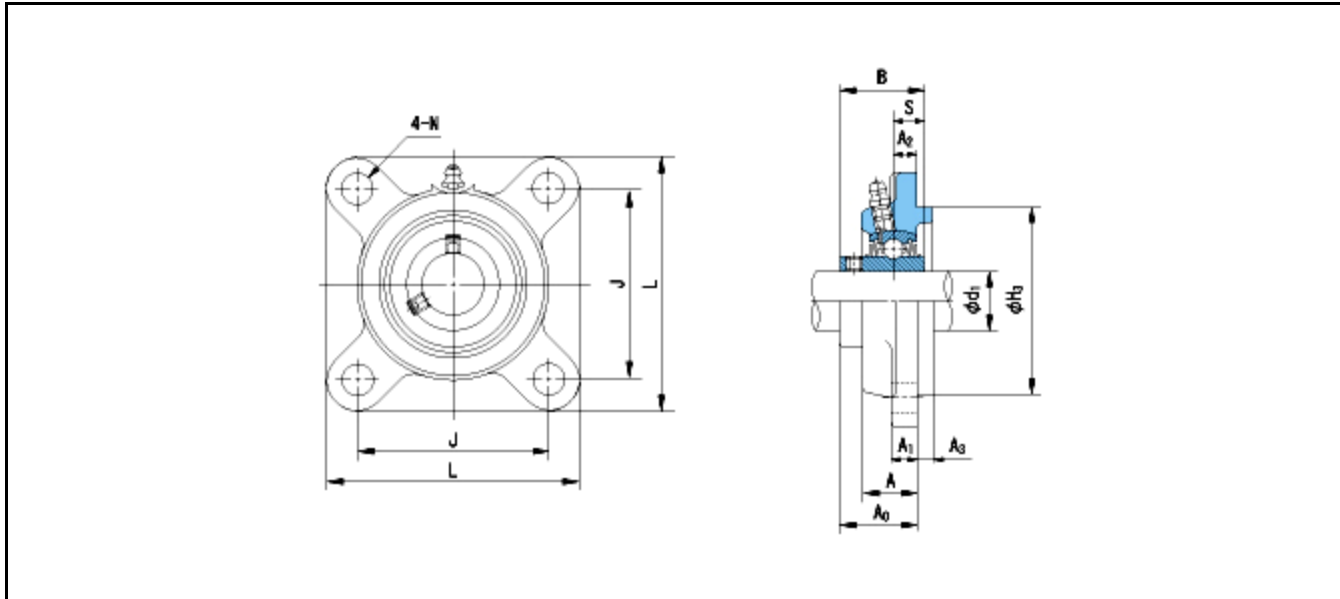
Bearing No. : UCFS314

Dimensions

L = 226

J = 178

N = 25



Dimensions

d1 = 70

A1 = 25

A2 = 18

H3 = 185

B = 78

S = 33

A = 43

A0 = 63

Mass = 11.2 kg

Basic Dynamic Load Rating Cr :	<b>104000 N</b>			
Basic Static Load Rating Cor :	<b>68000 N</b>	O.D.Surface Runout with Side :		-
Limiting Speed ;		Axial Runout with Bore :	-	
Grease Lubrication :	- rpm	Axial Runout with Raceway :	-	-
Oil Lubrication :	- rpm	Width Variation :	-	-
		Radial Runout :	-	-