

ROECO

Bearing Data

Ball Bearing Units

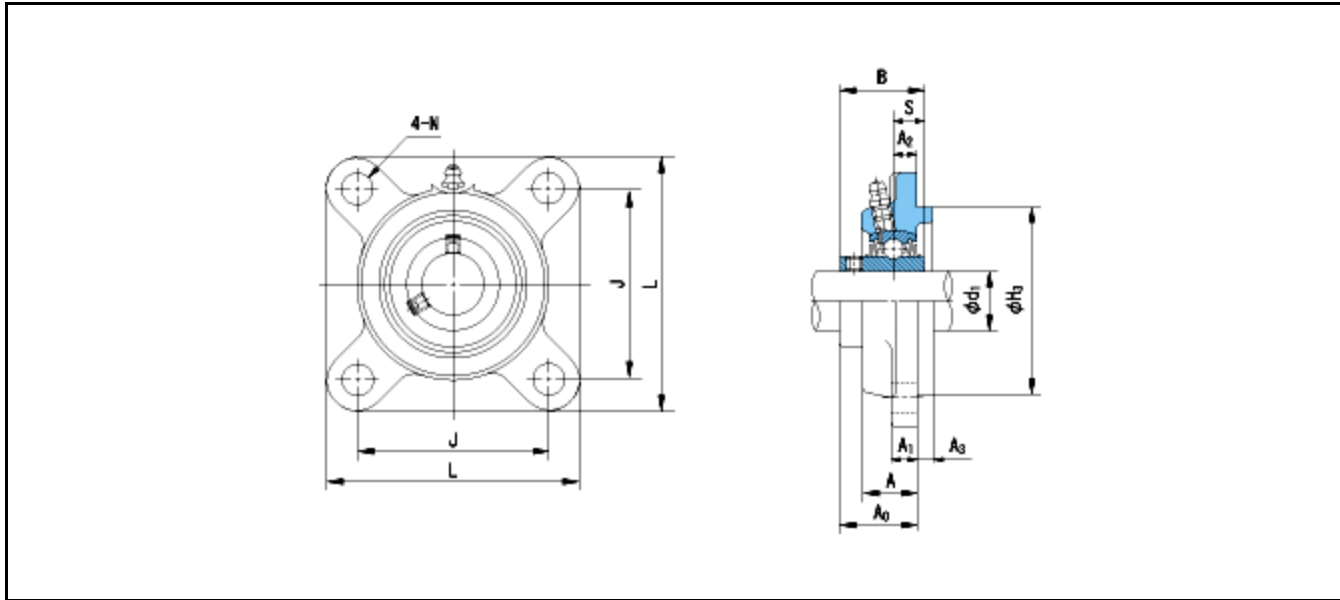
Bearing No. : **UCFS309**

Dimensions

L = 160

J = 125

N = 19



Dimensions

d1 = 45

A1 = 18

A2 = 14

H3 = 125

B = 57

S = 22

A = 33

A0 = 49

Mass = 4 kg

Basic Dynamic Load Rating Cr : **51500 N**

Basic Static Load Rating Cor : **29500 N**

Limiting Speed ;

Grease Lubrication : - rpm

Oil Lubrication : - rpm

INNER RING OUTER RING

O.D.Surface Runout with Side : -

Axial Runout with Bore : -

Axial Runout with Raceway : -

Width Variation : -

Radial Runout : -