

ROECO

# Bearing Data

## Ball Bearing Units

Bearing No. : **UCFLX07C**

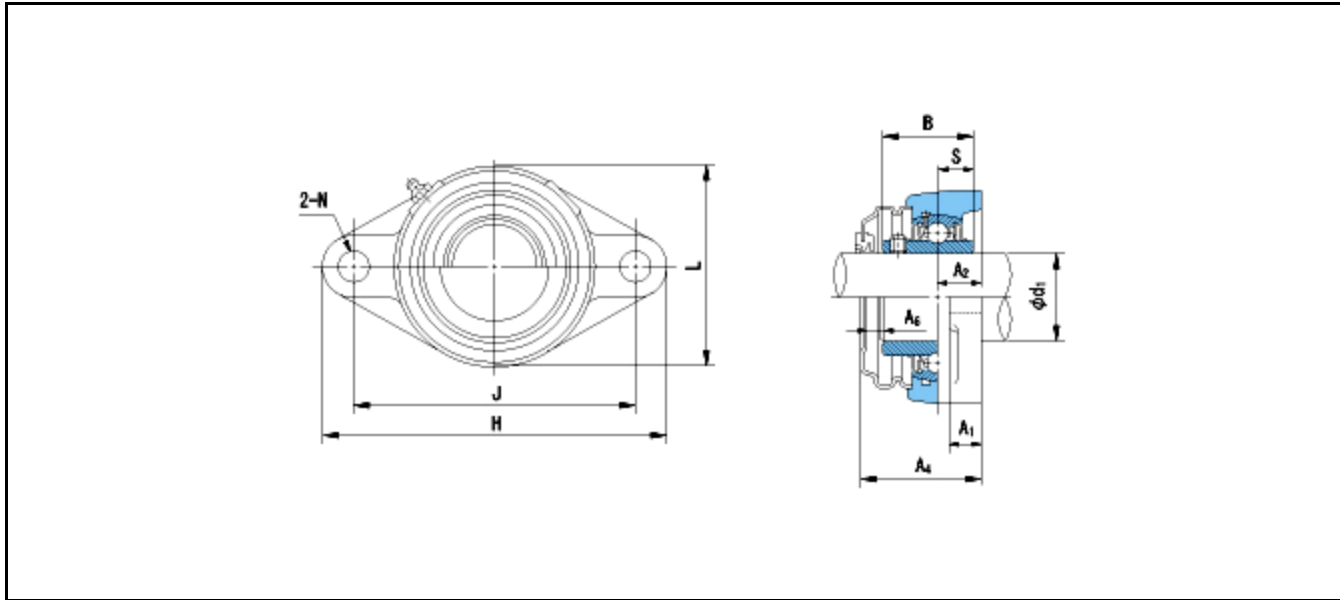
Dimensions

H = 171

L = 105

J = 144

N = 16



Dimensions

d1 = 35

A1 = 14

A2 = 21

A4 = 63

A6 = 10

B = 49.2

S = 19

Mass = 2 kg

|                                |         |                                |            |
|--------------------------------|---------|--------------------------------|------------|
| Basic Dynamic Load Rating Cr : | 29300 N | INNER RING                     | OUTER RING |
| Basic Static Load Rating Cor : | 17900 N | O.D.Surface Runout with Side : | -          |
| Limiting Speed ;               |         | Axial Runout with Bore :       | -          |
| Grease Lubrication :           | - rpm   | Axial Runout with Raceway :    | -          |
| Oil Lubrication :              | - rpm   | Width Variation :              | -          |
|                                |         | Radial Runout :                | -          |