

ROECO

# Bearing Data

## Ball Bearing Units

Bearing No. : UCFLX07

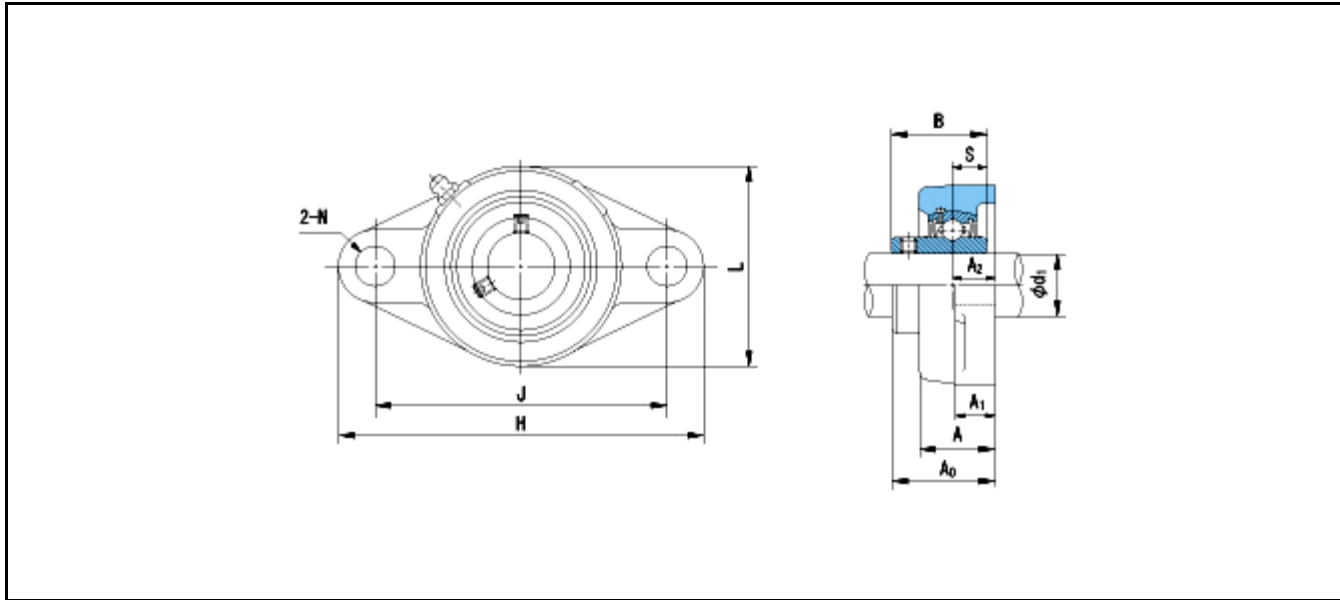
Dimensions

H = 171

L = 105

J = 144

N = 16



Dimensions

d1 = 35

A1 = 14

A2 = 21

A = 38

A0 = 51.2

B = 49.2

S = 19

Mass = 1.9 kg

Basic Dynamic Load Rating Cr :	29300 N	INNER RING	OUTER RING
Basic Static Load Rating Cor :	17900 N	O.D.Surface Runout with Side :	-
Limiting Speed ;		Axial Runout with Bore :	-
Grease Lubrication :	- rpm	Axial Runout with Raceway :	-
Oil Lubrication :	- rpm	Width Variation :	-
		Radial Runout :	-