

ROECO

# Bearing Data

## Ball Bearing Units

Bearing No. : **UCFLX06C**

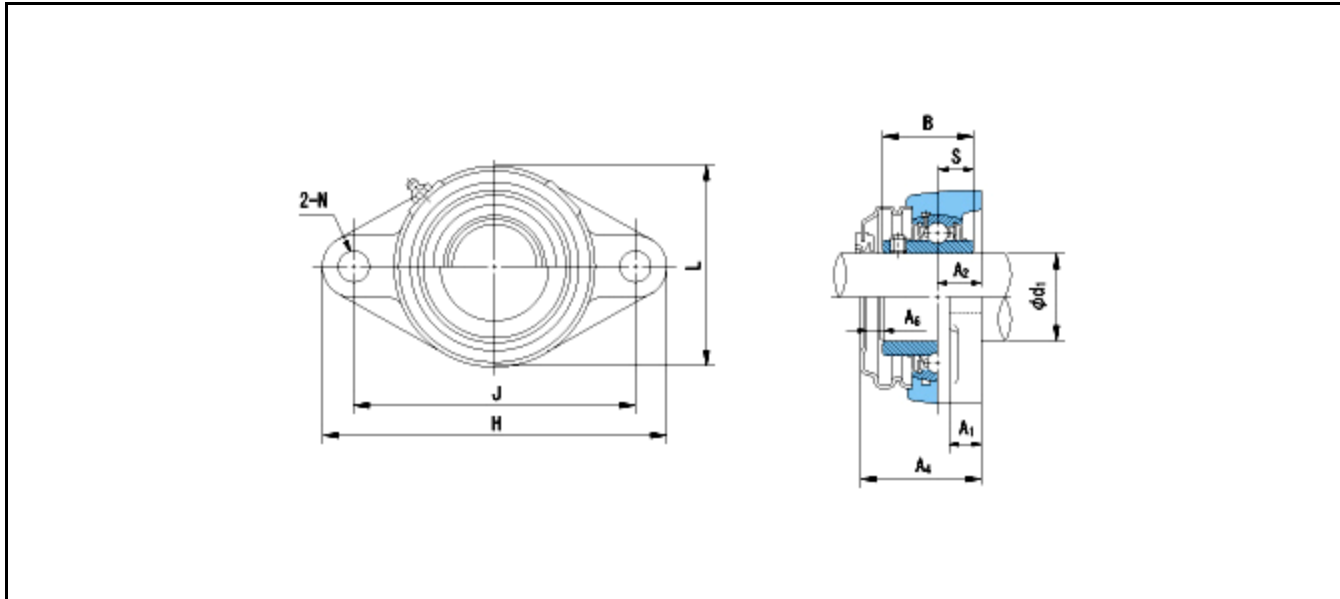
Dimensions

H = 156

L = 95

J = 130

N = 16



Dimensions

d1 = 30

A1 = 14

A2 = 19

A4 = 54

A6 = 8

B = 42.9

S = 17.5

Mass = 1.4 kg

Basic Dynamic Load Rating Cr :	<b>25900 N</b>	INNER RING	OUTER RING
Basic Static Load Rating Cor :	<b>15400 N</b>	O.D.Surface Runout with Side :	-
Limiting Speed ;		Axial Runout with Bore :	-
Grease Lubrication :	- rpm	Axial Runout with Raceway :	-
Oil Lubrication :	- rpm	Width Variation :	-
		Radial Runout :	-