

ROECO

Bearing Data

Ball Bearing Units

Bearing No. : **UCFLX06**

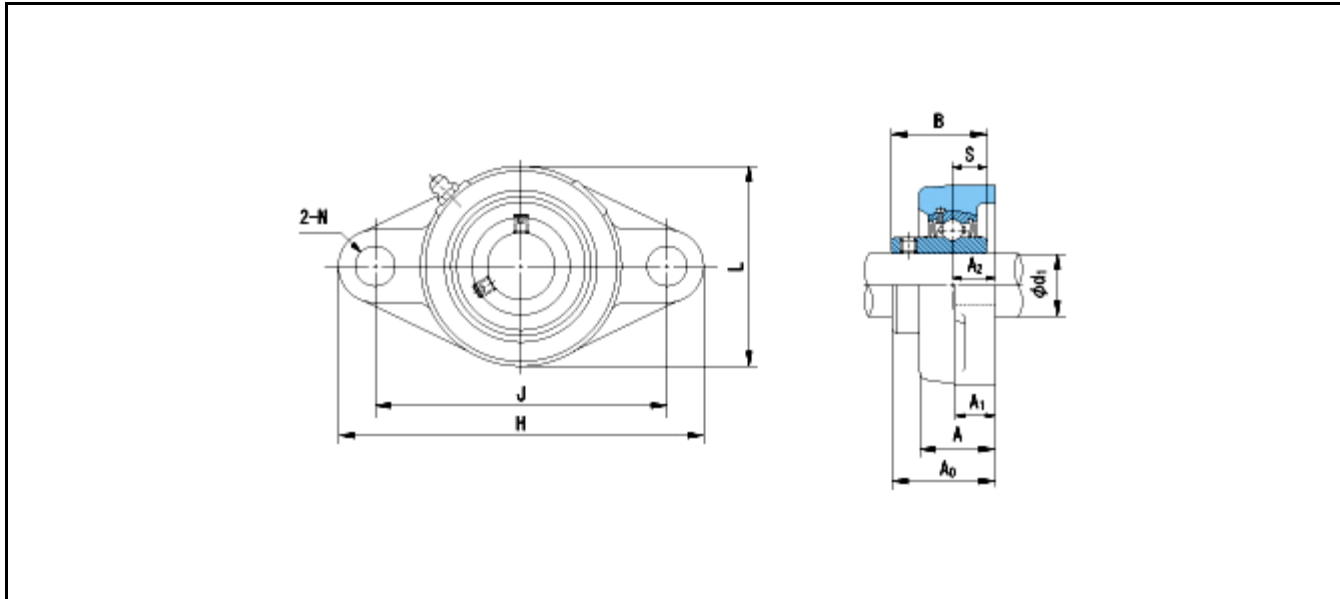
Dimensions

H = 156

L = 95

J = 130

N = 16



Dimensions

d1 = 30

A1 = 14

A2 = 19

A = 34

A0 = 44.4

B = 42.9

S = 17.5

Mass = 1.4 kg

Basic Dynamic Load Rating Cr :	25900 N			
Basic Static Load Rating Cor :	15400 N	O.D.Surface Runout with Side :		-
Limiting Speed ;		Axial Runout with Bore :		-
Grease Lubrication :	- rpm	Axial Runout with Raceway :		-
Oil Lubrication :	- rpm	Width Variation :		-
		Radial Runout :		-