

ROECO

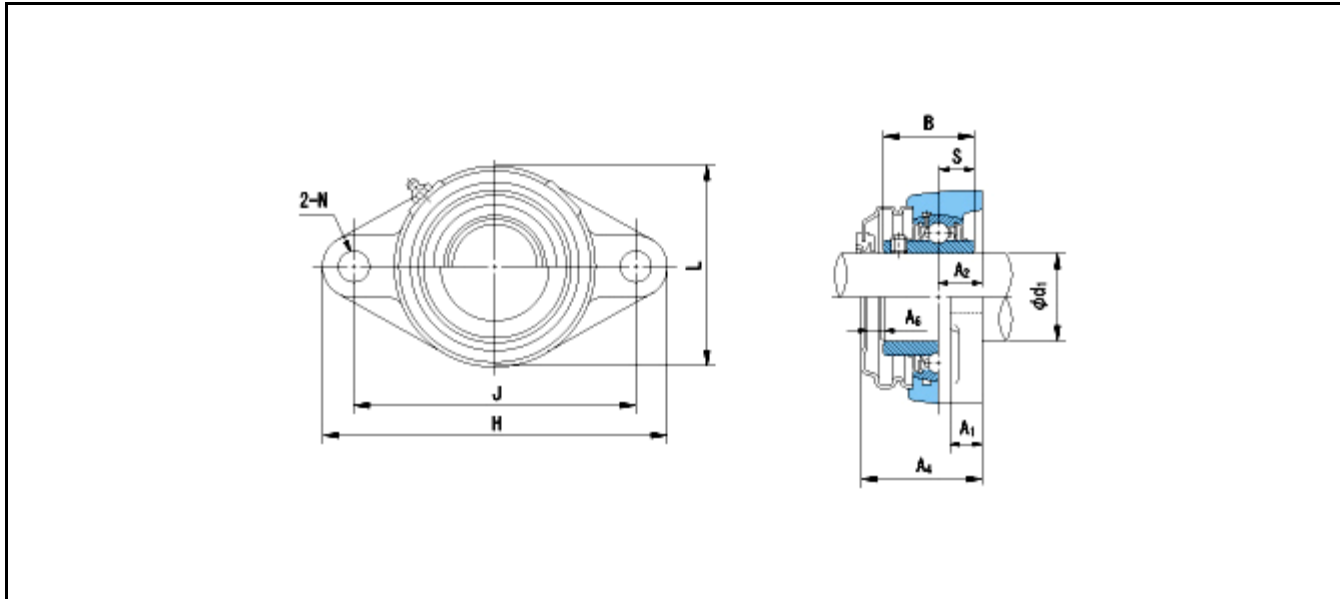
Bearing Data

Ball Bearing Units

Bearing No. : **UCFL213E**

Dimensions

- H = 258
- L = 155
- J = 210
- N = 23



Dimensions

- d1 = 65
- A1 = 24
- A2 = 30
- A4 = 81
- A6 = 10
- B = 65.1
- S = 25.4
- Mass = 5.3 kg

Basic Dynamic Load Rating Cr :	57500 N		
Basic Static Load Rating Cor :	40000 N	O.D.Surface Runout with Side :	-
Limiting Speed ;		Axial Runout with Bore :	-
Grease Lubrication :	- rpm	Axial Runout with Raceway :	-
Oil Lubrication :	- rpm	Width Variation :	-
		Radial Runout :	-