

ROECO

# Bearing Data

## Ball Bearing Units

Bearing No. : **UCFL212C**

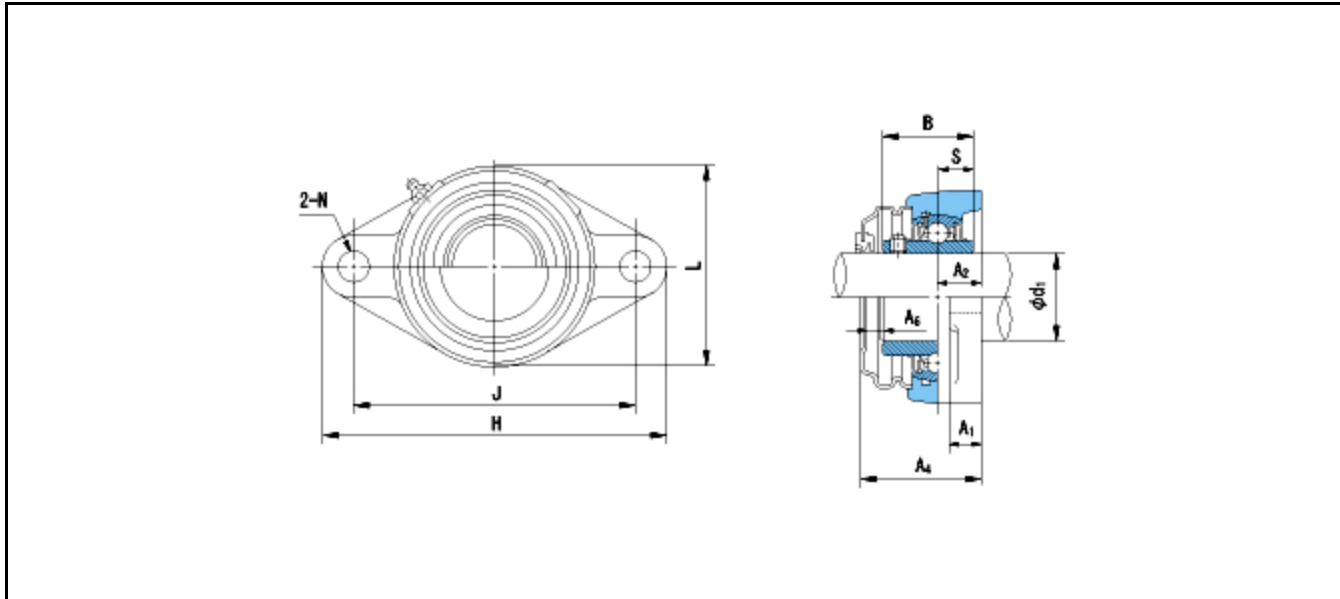
Dimensions

H = 250

L = 140

J = 202

N = 23



Dimensions

d1 = 60

A1 = 20

A2 = 29

A4 = 80

A6 = 10

B = 65.1

S = 25.4

Mass = 4.3 kg

Basic Dynamic Load Rating Cr :	<b>52500 N</b>	INNER RING	OUTER RING
Basic Static Load Rating Cor :	<b>36100 N</b>	O.D.Surface Runout with Side :	-
Limiting Speed ;		Axial Runout with Bore :	-
Grease Lubrication :	- rpm	Axial Runout with Raceway :	-
Oil Lubrication :	- rpm	Width Variation :	-
		Radial Runout :	-