

ROECO

Bearing Data

Ball Bearing Units

Bearing No. : **UCFL209E**

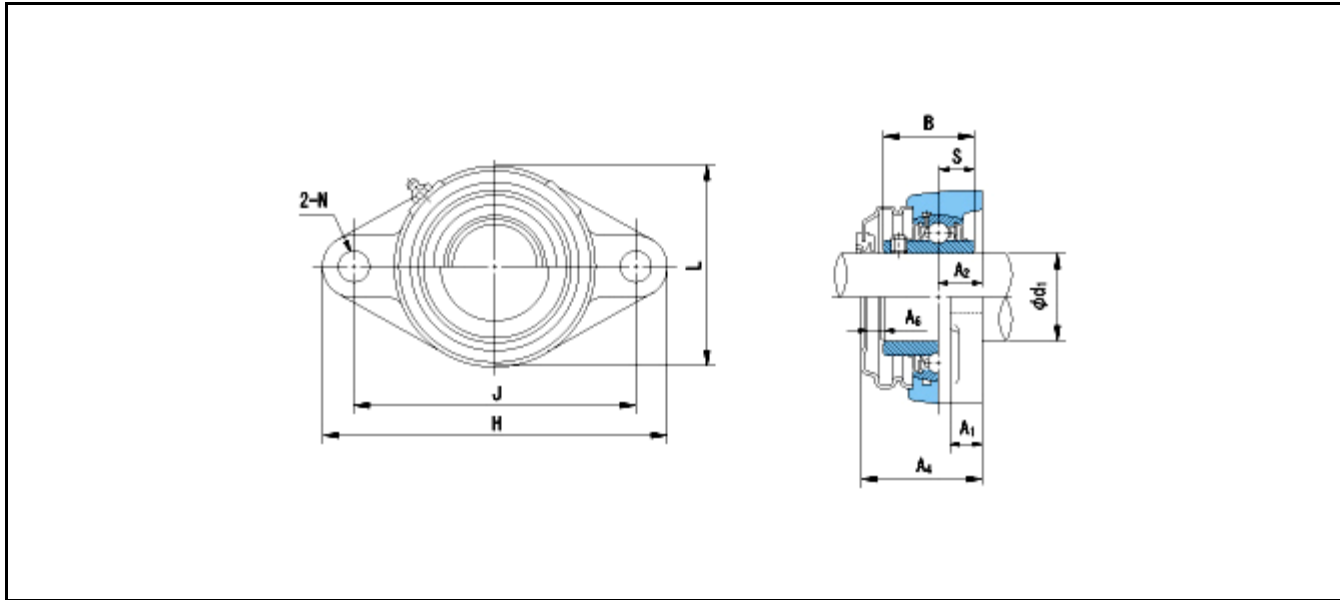
Dimensions

H = 188

L = 108

J = 148

N = 19



Dimensions

d1 = 45

A1 = 18

A2 = 22

A4 = 63

A6 = 10

B = 49.2

S = 19

Mass = 2 kg

Basic Dynamic Load Rating Cr :	33000 N		
Basic Static Load Rating Cor :	20500 N	O.D.Surface Runout with Side :	-
Limiting Speed ;		Axial Runout with Bore :	-
Grease Lubrication :	- rpm	Axial Runout with Raceway :	-
Oil Lubrication :	- rpm	Width Variation :	-
		Radial Runout :	-