

ROECO

Bearing Data

Ball Bearing Units

Bearing No. : **UCFL208E**

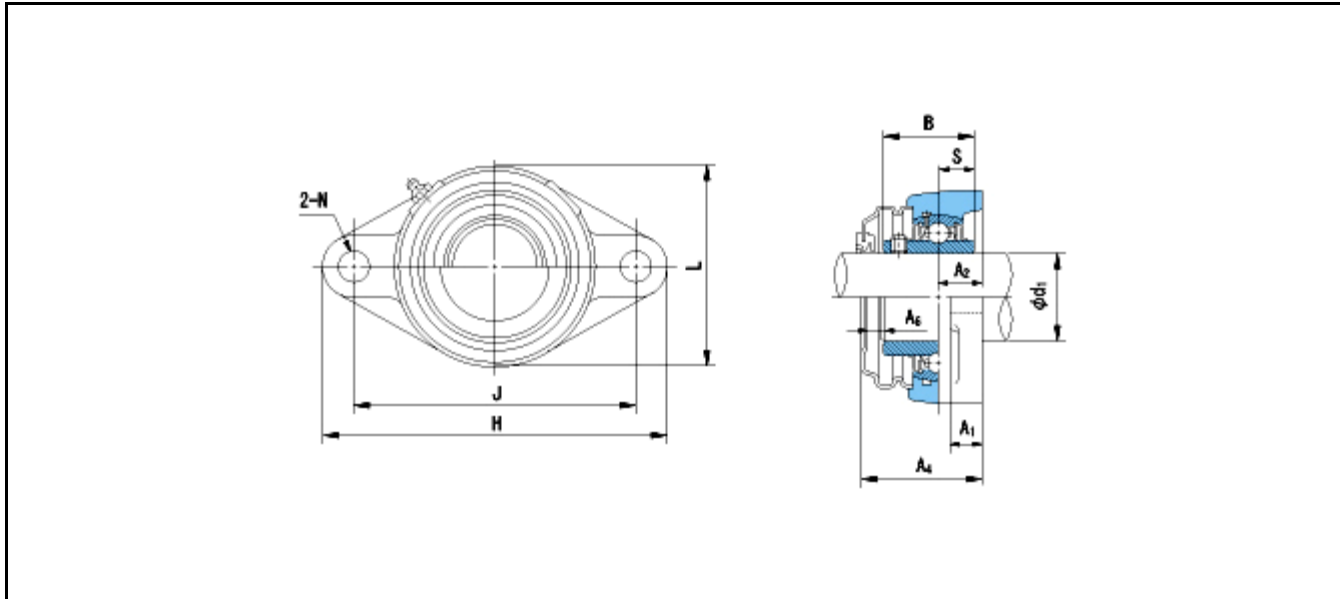
Dimensions

H = 175

L = 100

J = 144

N = 16



Dimensions

d1 = 40

A1 = 16

A2 = 21

A4 = 61

A6 = 9

B = 49.2

S = 19

Mass = 1.7 kg

Basic Dynamic Load Rating Cr :	29300 N	INNER RING	OUTER RING
Basic Static Load Rating Cor :	17900 N	O.D.Surface Runout with Side :	-
Limiting Speed ;		Axial Runout with Bore :	-
Grease Lubrication :	- rpm	Axial Runout with Raceway :	-
Oil Lubrication :	- rpm	Width Variation :	-
		Radial Runout :	-