

ROECO

# Bearing Data

## Ball Bearing Units

Bearing No. : **UCFL204C**

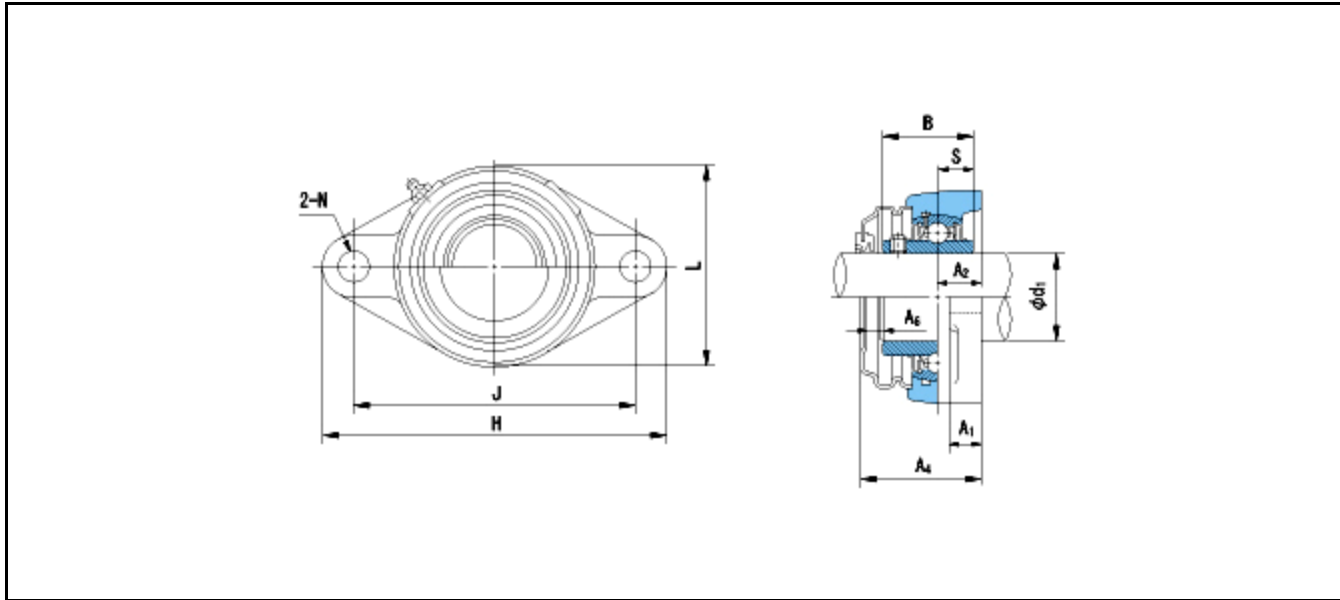
Dimensions

H = 113

L = 60

J = 90

N = 12



Dimensions

d1 = 20

A1 = 12

A2 = 15

A4 = 43

A6 = 8

B = 31

S = 12.7

Mass = 0.48 kg

<b>Basic Dynamic Load Rating Cr :</b>	<b>12800 N</b>	<b>INNER RING</b>	<b>OUTER RING</b>
<b>Basic Static Load Rating Cor :</b>	<b>6600 N</b>	<b>O.D.Surface Runout with Side :</b>	-
<b>Limiting Speed ;</b>		<b>Axial Runout with Bore :</b>	-
<b>Grease Lubrication :</b>	- rpm	<b>Axial Runout with Raceway :</b>	-
<b>Oil Lubrication :</b>	- rpm	<b>Width Variation :</b>	-
		<b>Radial Runout :</b>	-