

ROECO

Bearing Data

Ball Bearing Units

Bearing No. : **UCFL202C**

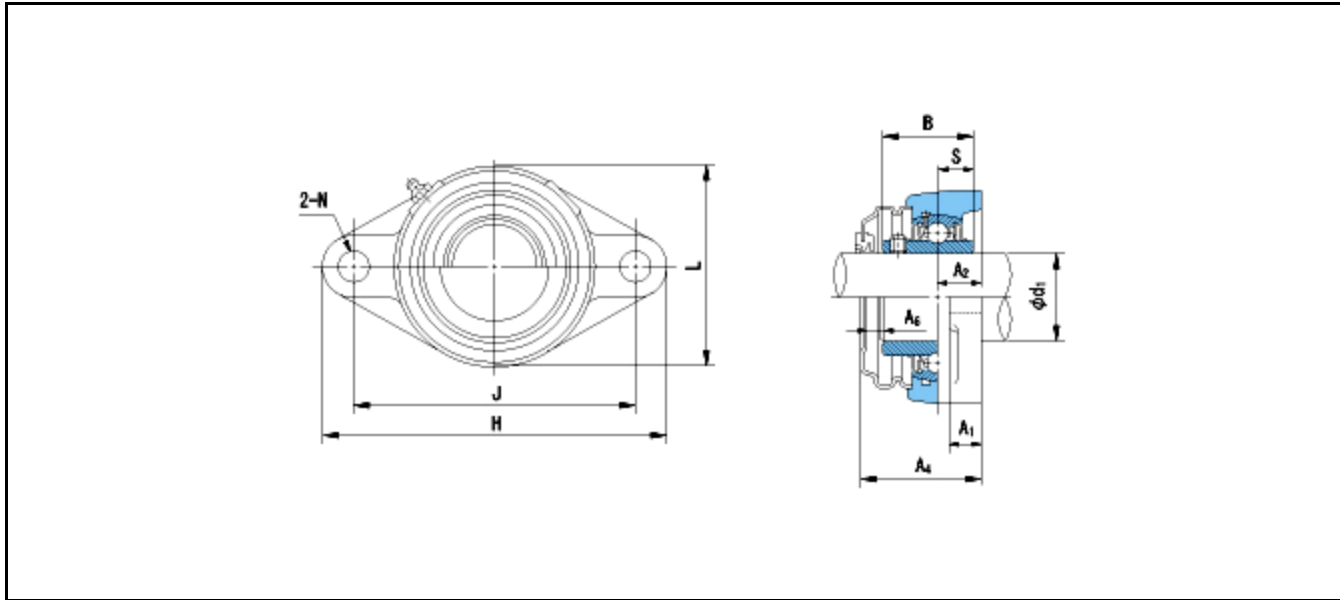
Dimensions

H = 113

L = 60

J = 90

N = 12



Dimensions

d1 = 15

A1 = 12

A2 = 15

A4 = 43

A6 = 8

B = 31

S = 12.7

Mass = 0.51 kg

| | | | |
|---------------------------------------|----------------|---------------------------------------|-------------------|
| Basic Dynamic Load Rating Cr : | 12800 N | INNER RING | OUTER RING |
| Basic Static Load Rating Cor : | 6600 N | O.D.Surface Runout with Side : | - |
| Limiting Speed ; | | Axial Runout with Bore : | - |
| Grease Lubrication : | - rpm | Axial Runout with Raceway : | - |
| Oil Lubrication : | - rpm | Width Variation : | - |
| | | Radial Runout : | - |