

ROECO

Bearing Data

Ball Bearing Units

Bearing No. : UCFL328

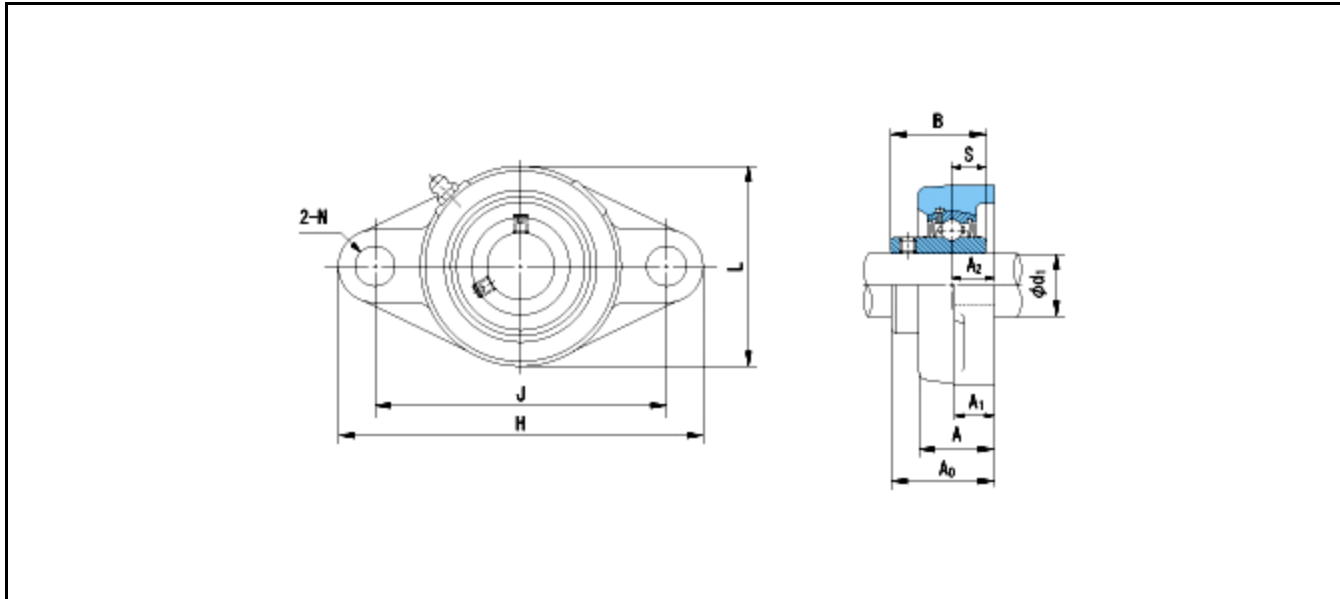
Dimensions

H = 600

L = 400

J = 500

N = 51



Dimensions

d1 = 140

A1 = 60

A2 = 75

A = 125

A0 = 161

B = 145

S = 59

Mass = 79.7 kg

Basic Dynamic Load Rating Cr :	255000 N			
Basic Static Load Rating Cor :	246000 N	O.D.Surface Runout with Side :		-
Limiting Speed ;		Axial Runout with Bore :		-
Grease Lubrication :	- rpm	Axial Runout with Raceway :		-
Oil Lubrication :	- rpm	Width Variation :		-
		Radial Runout :		-