

ROECO

Bearing Data

Ball Bearing Units

Bearing No. : **UCFL326**

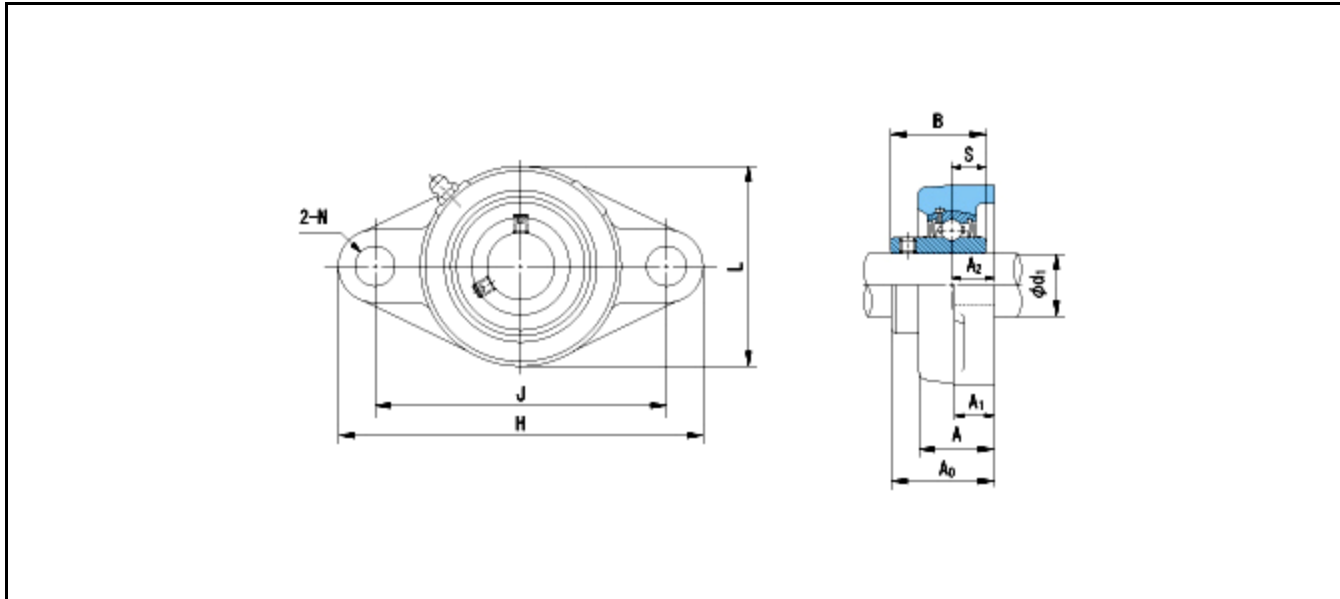
Dimensions

H = 550

L = 360

J = 460

N = 47



Dimensions

d1 = 130

A1 = 50

A2 = 65

A = 115

A0 = 146

B = 135

S = 54

Mass = 57.5 kg

Basic Dynamic Load Rating Cr :	229000 N			
Basic Static Load Rating Cor :	214300 N	O.D.Surface Runout with Side :		-
Limiting Speed ;		Axial Runout with Bore :		-
Grease Lubrication :	- rpm	Axial Runout with Raceway :		-
Oil Lubrication :	- rpm	Width Variation :		-
		Radial Runout :		-