

ROECO

Bearing Data

Ball Bearing Units

Bearing No. : **UCFL316**

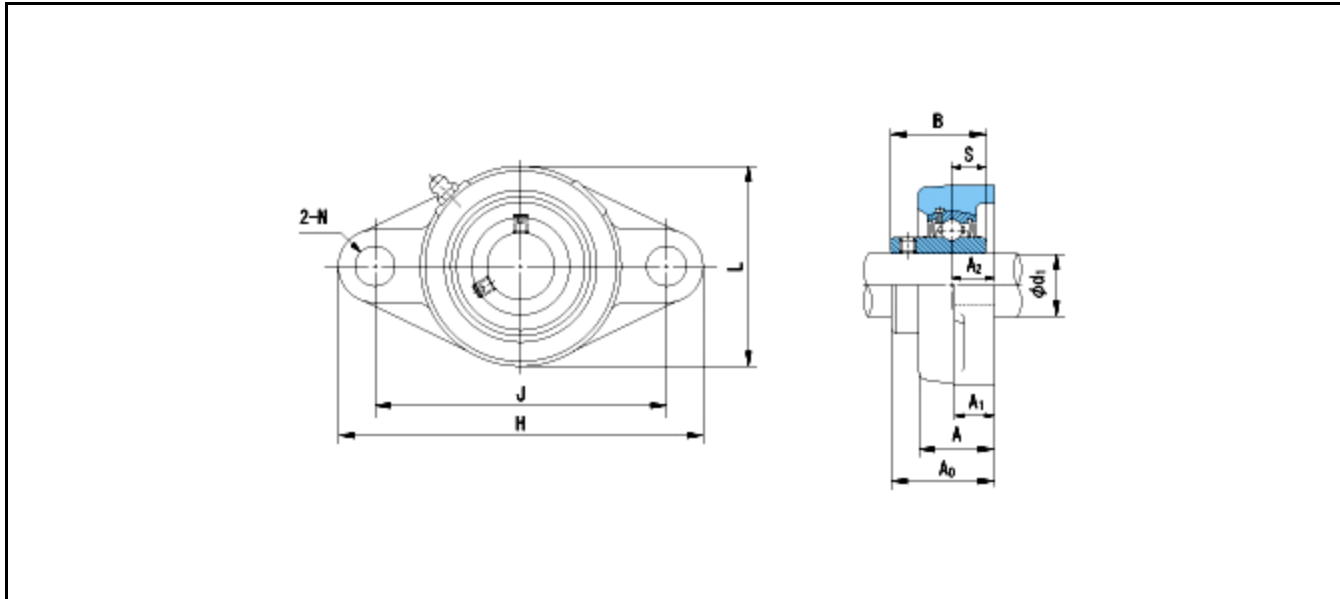
Dimensions

H = 355

L = 210

J = 285

N = 38



Dimensions

d1 = 80

A1 = 32

A2 = 38

A = 68

A0 = 90

B = 86

S = 34

Mass = 12.6 kg

Basic Dynamic Load Rating Cr :	123000 N	INNER RING	OUTER RING
Basic Static Load Rating Cor :	86400 N	O.D.Surface Runout with Side :	-
Limiting Speed ;		Axial Runout with Bore :	-
Grease Lubrication :	- rpm	Axial Runout with Raceway :	-
Oil Lubrication :	- rpm	Width Variation :	-
		Radial Runout :	-