

ROECO

Bearing Data

Ball Bearing Units

Bearing No. : **UCFL315**

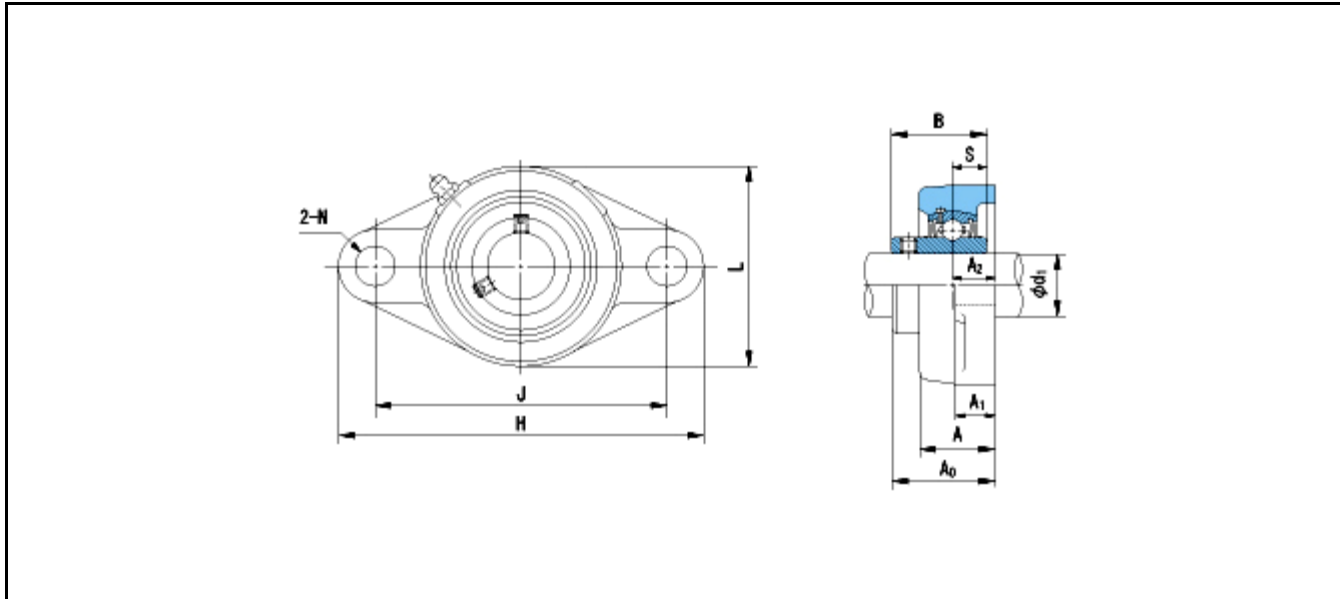
Dimensions

H = 320

L = 195

J = 260

N = 35



Dimensions

d1 = 75

A1 = 30

A2 = 39

A = 66

A0 = 89

B = 82

S = 32

Mass = 10 kg

Basic Dynamic Load Rating Cr :	114000 N		
Basic Static Load Rating Cor :	76900 N	O.D.Surface Runout with Side :	-
Limiting Speed ;		Axial Runout with Bore :	-
Grease Lubrication :	- rpm	Axial Runout with Raceway :	-
Oil Lubrication :	- rpm	Width Variation :	-
		Radial Runout :	-