

ROECO

# Bearing Data

## Ball Bearing Units

Bearing No. : UCFL306

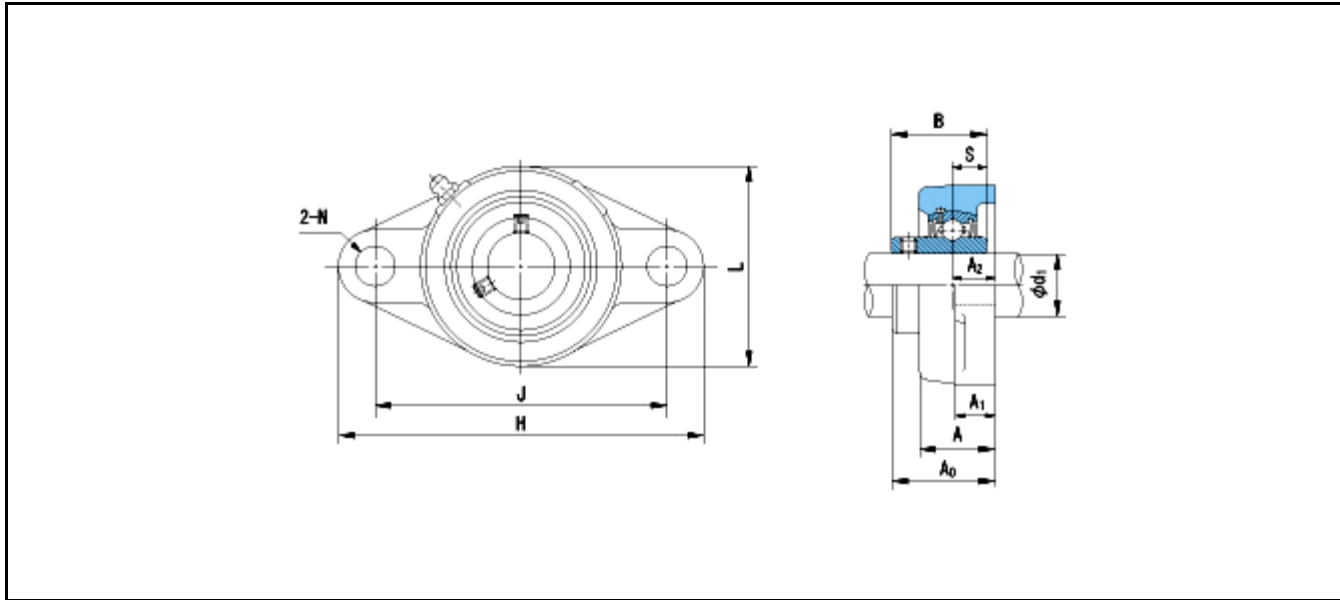
Dimensions

H = 180

L = 90

J = 134

N = 23



Dimensions

d1 = 30

A1 = 15

A2 = 18

A = 32

A0 = 44

B = 43

S = 17

Mass = 1.5 kg

Basic Dynamic Load Rating Cr :	26800 N	INNER RING	OUTER RING
Basic Static Load Rating Cor :	15000 N	O.D.Surface Runout with Side :	-
Limiting Speed ;		Axial Runout with Bore :	-
Grease Lubrication :	- rpm	Axial Runout with Raceway :	-
Oil Lubrication :	- rpm	Width Variation :	-
		Radial Runout :	-