

ROECO

# Bearing Data

## Ball Bearing Units

Bearing No. : **UCFL218**

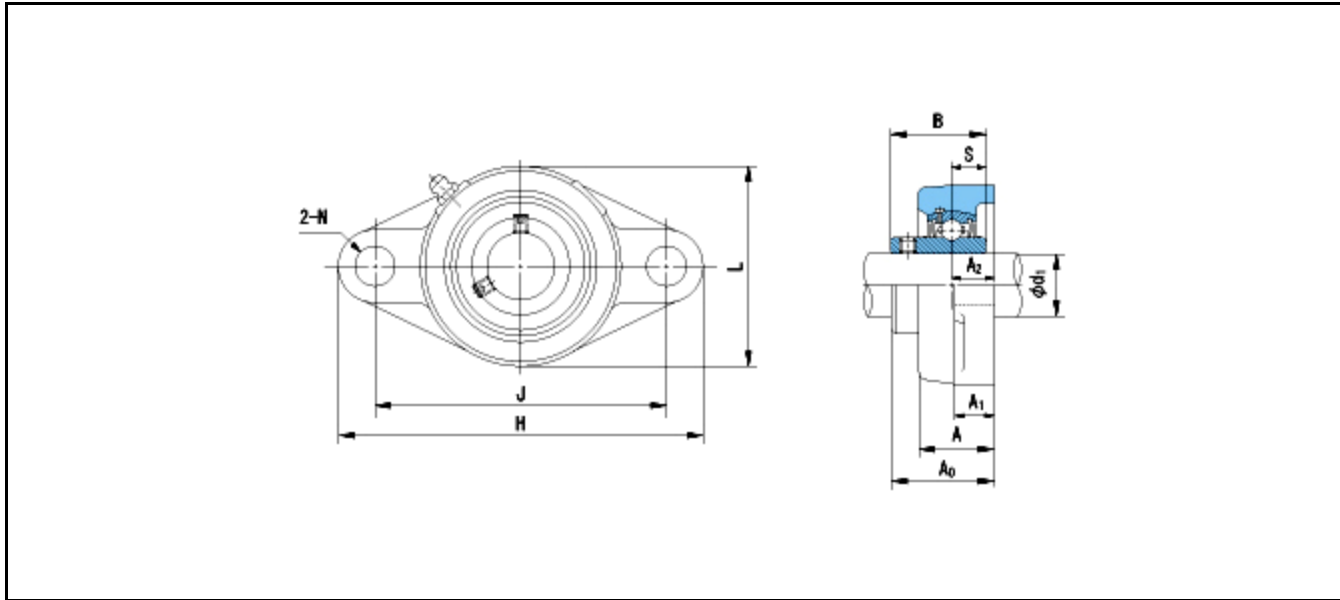
Dimensions

H = 320

L = 205

J = 265

N = 25



Dimensions

d1 = 90

A1 = 26

A2 = 40

A = 68

A0 = 96.3

B = 96

S = 39.7

Mass = 11.9 kg

Basic Dynamic Load Rating Cr :	<b>95500 N</b>	INNER RING	OUTER RING
Basic Static Load Rating Cor :	<b>71400 N</b>	O.D.Surface Runout with Side :	-
Limiting Speed ;		Axial Runout with Bore :	-
Grease Lubrication :	- rpm	Axial Runout with Raceway :	-
Oil Lubrication :	- rpm	Width Variation :	-
		Radial Runout :	-