

ROECO

# Bearing Data

## Ball Bearing Units

Bearing No. : **UCFL214**

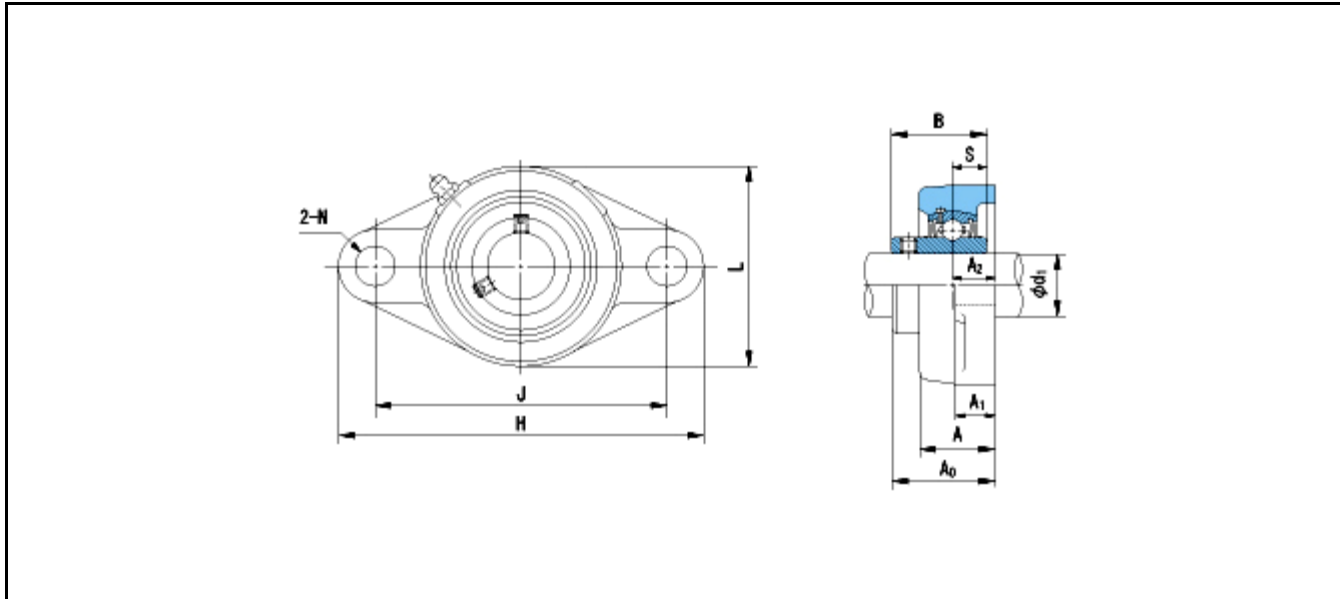
Dimensions

H = 265

L = 160

J = 216

N = 23



Dimensions

d1 = 70

A1 = 24

A2 = 31

A = 54

A0 = 75.4

B = 74.6

S = 30.2

Mass = 6 kg

Basic Dynamic Load Rating Cr :	<b>62000 N</b>	INNER RING	OUTER RING
Basic Static Load Rating Cor :	<b>44000 N</b>	O.D.Surface Runout with Side :	-
Limiting Speed ;		Axial Runout with Bore :	-
Grease Lubrication :	- rpm	Axial Runout with Raceway :	-
Oil Lubrication :	- rpm	Width Variation :	-
		Radial Runout :	-