

ROECO

Bearing Data

Ball Bearing Units

Bearing No. : **UCFL213**

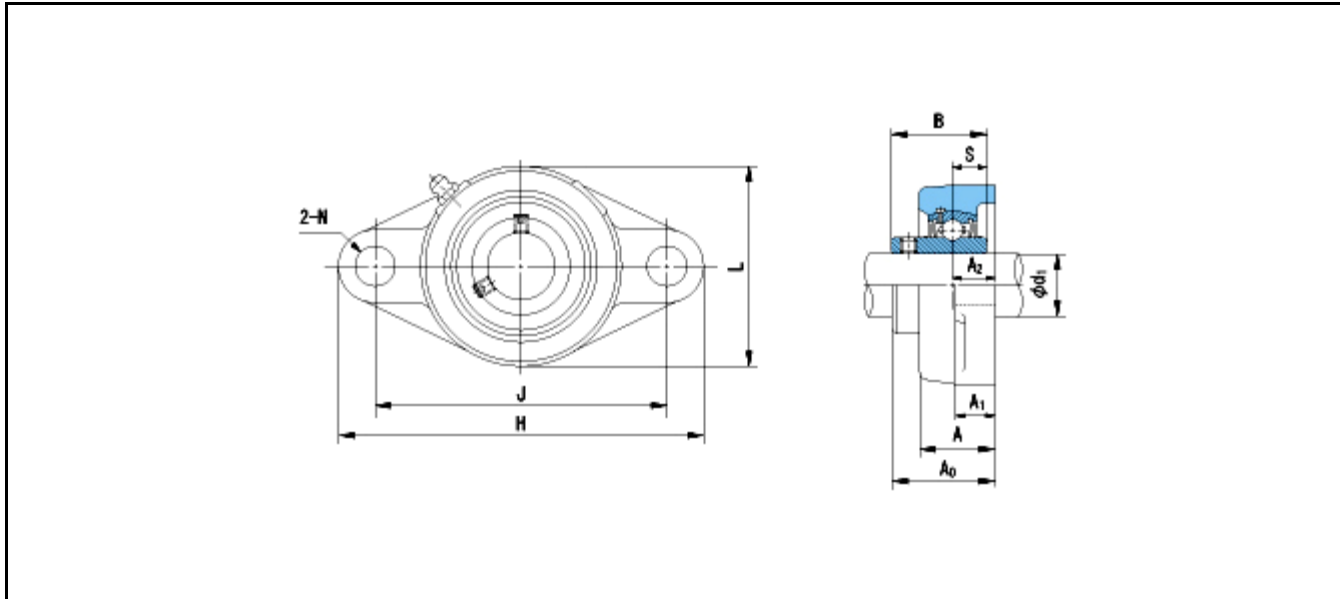
Dimensions

H = 258

L = 155

J = 210

N = 23



Dimensions

d1 = 65

A1 = 24

A2 = 30

A = 50

A0 = 69.7

B = 65.1

S = 25.4

Mass = 5.1 kg

| | | | | |
|--------------------------------|----------------|--------------------------------|-------------------|-------------------|
| Basic Dynamic Load Rating Cr : | 57500 N | | INNER RING | OUTER RING |
| Basic Static Load Rating Cor : | 40000 N | O.D.Surface Runout with Side : | | - |
| Limiting Speed ; | | Axial Runout with Bore : | - | - |
| Grease Lubrication : | - rpm | Axial Runout with Raceway : | - | - |
| Oil Lubrication : | - rpm | Width Variation : | - | - |
| | | Radial Runout : | - | - |