

ROECO

Bearing Data

Ball Bearing Units

Bearing No. : **UCFL210**

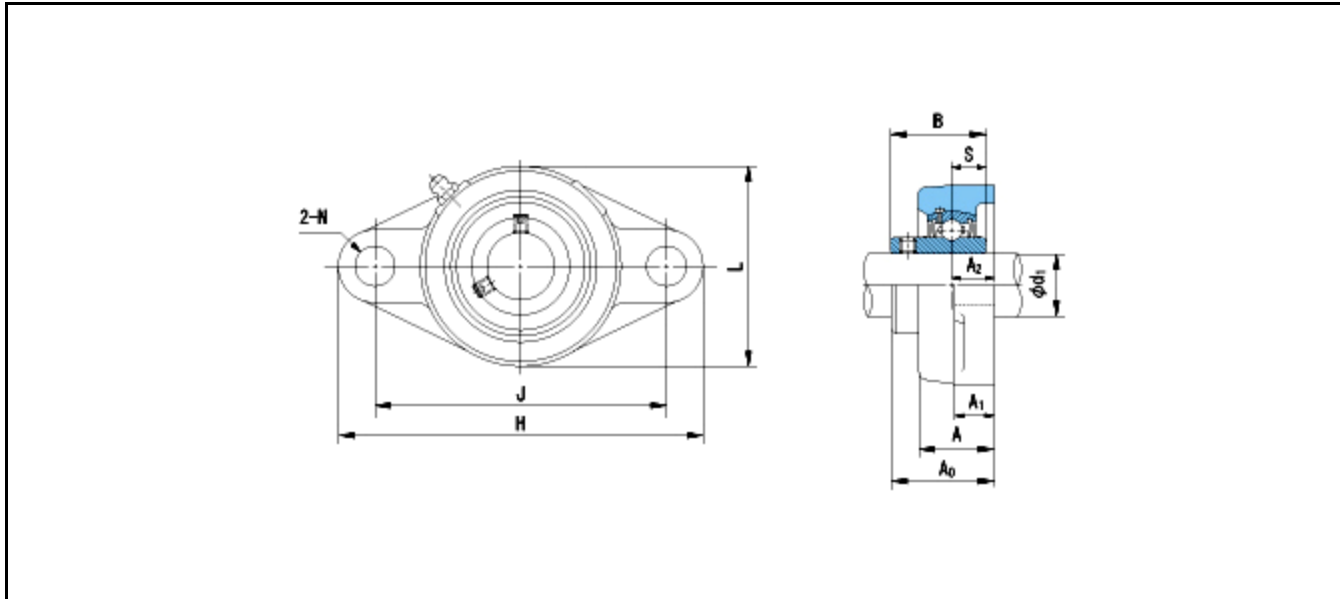
Dimensions

H = 197

L = 115

J = 157

N = 19



Dimensions

d1 = 50

A1 = 18

A2 = 22

A = 40

A0 = 54.6

B = 51.6

S = 19

Mass = 2.2 kg

Basic Dynamic Load Rating Cr :	35500 N			
Basic Static Load Rating Cor :	23200 N	O.D.Surface Runout with Side :		-
Limiting Speed ;		Axial Runout with Bore :		-
Grease Lubrication :	- rpm	Axial Runout with Raceway :		-
Oil Lubrication :	- rpm	Width Variation :		-
		Radial Runout :		-