

ROECO

# Bearing Data

## Ball Bearing Units

Bearing No. : **UCFL209**

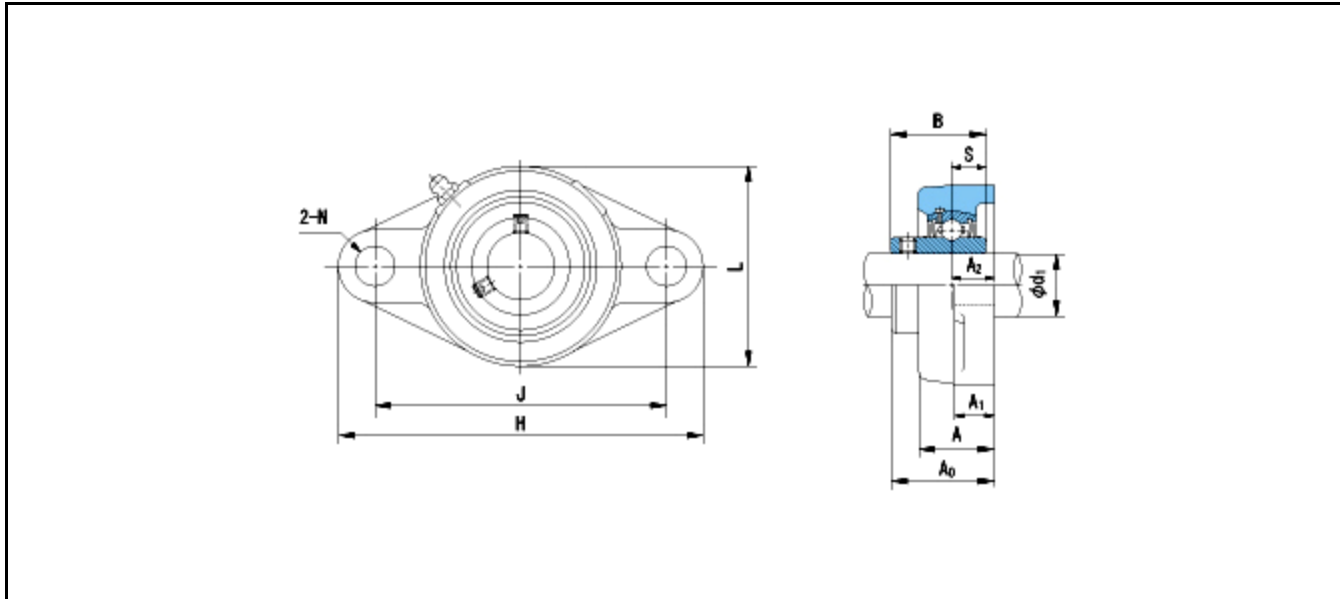
Dimensions

H = 188

L = 108

J = 148

N = 19



Dimensions

d1 = 45

A1 = 18

A2 = 22

A = 38

A0 = 52.2

B = 49.2

S = 19

Mass = 1.9 kg

Basic Dynamic Load Rating Cr :	<b>33000 N</b>		<b>INNER RING</b>	<b>OUTER RING</b>
Basic Static Load Rating Cor :	<b>20500 N</b>	O.D.Surface Runout with Side :	-	-
Limiting Speed ;		Axial Runout with Bore :	-	-
Grease Lubrication :	- rpm	Axial Runout with Raceway :	-	-
Oil Lubrication :	- rpm	Width Variation :	-	-
		Radial Runout :	-	-