

ROECO

# Bearing Data

## Ball Bearing Units

Bearing No. : UCFL207

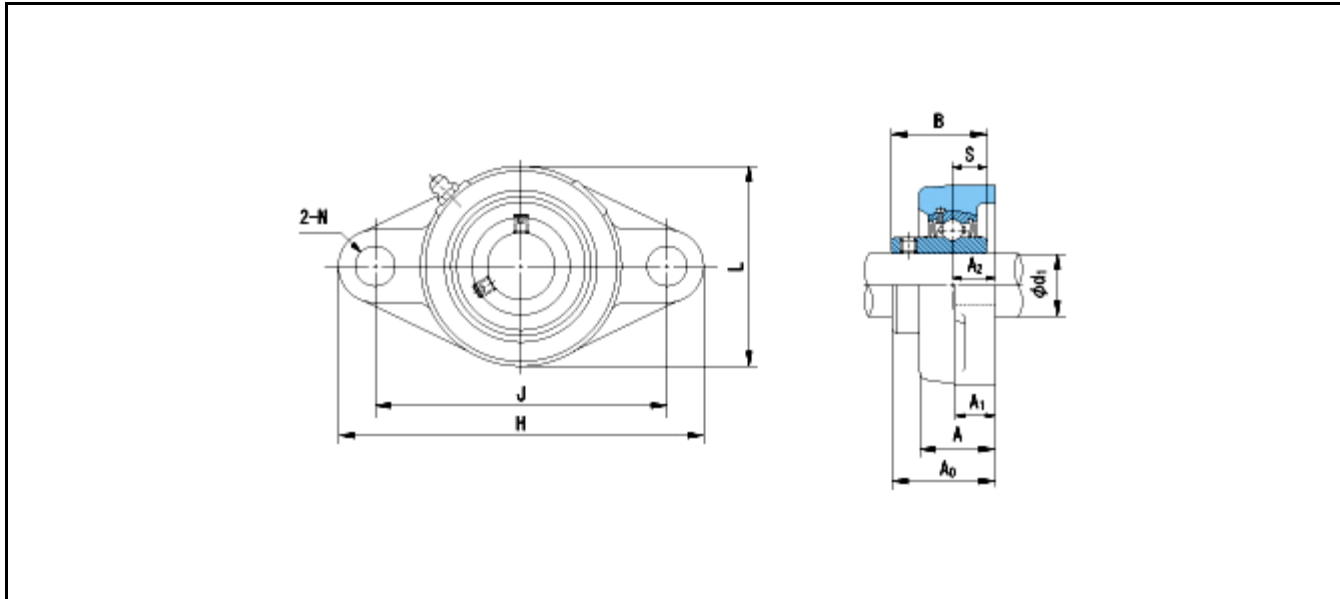
Dimensions

H = 161

L = 90

J = 130

N = 16



Dimensions

d1 = 35

A1 = 16

A2 = 19

A = 34

A0 = 44.4

B = 42.9

S = 17.5

Mass = 1.2 kg

Basic Dynamic Load Rating Cr :	25900 N	INNER RING	OUTER RING
Basic Static Load Rating Cor :	15400 N	O.D.Surface Runout with Side :	-
Limiting Speed ;		Axial Runout with Bore :	-
Grease Lubrication :	- rpm	Axial Runout with Raceway :	-
Oil Lubrication :	- rpm	Width Variation :	-
		Radial Runout :	-