

ROECO

# Bearing Data

## Ball Bearing Units

Bearing No. : **UCFK210**

Dimensions

H = 184

H1 = 82

L = 112

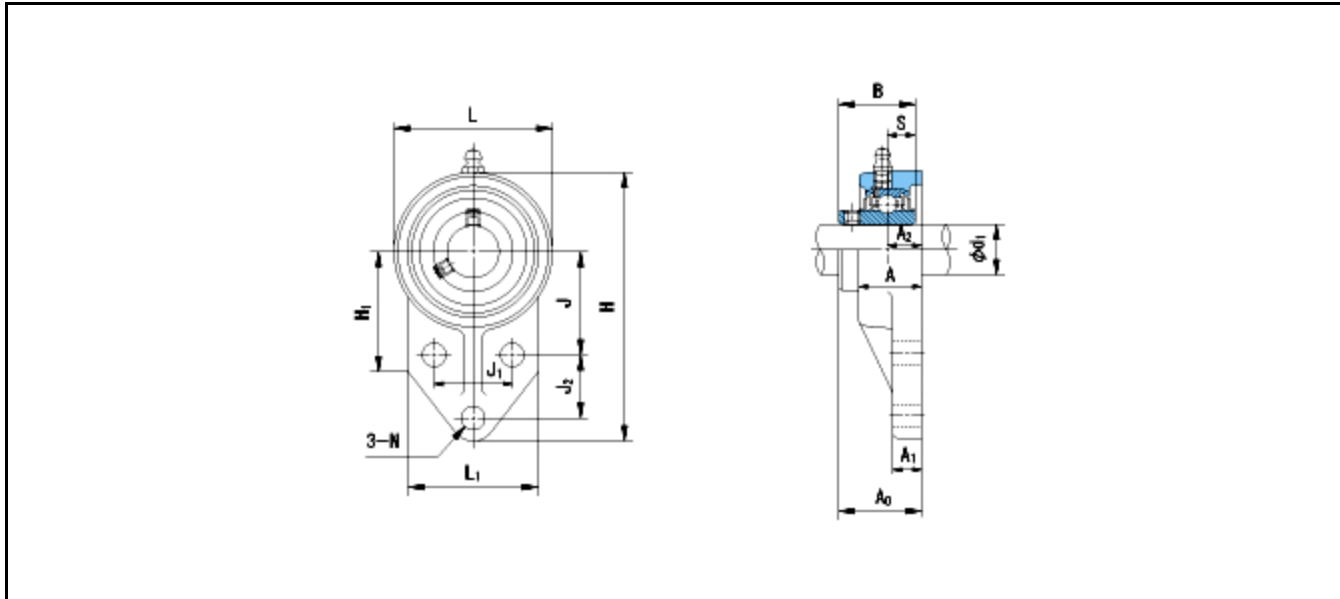
L1 = 86

J = 68

J1 = 58

J2 = 46

N = 12



Dimensions

d1 = 50

A = 40

A1 = 18

A2 = 22

A0 = 54.6

B = 51.6

S = 19

Mass = 2.2 kg

<b>Basic Dynamic Load Rating Cr :</b>	<b>35500 N</b>		
<b>Basic Static Load Rating Cor :</b>	<b>23200 N</b>	<b>O.D.Surface Runout with Side :</b>	<b>-</b>
<b>Limiting Speed ;</b>		<b>Axial Runout with Bore :</b>	<b>-</b>
<b>Grease Lubrication :</b>	<b>- rpm</b>	<b>Axial Runout with Raceway :</b>	<b>-</b>
<b>Oil Lubrication :</b>	<b>- rpm</b>	<b>Width Variation :</b>	<b>-</b>
		<b>Radial Runout :</b>	<b>-</b>