

ROECO

# Bearing Data

## Ball Bearing Units

Bearing No. : **UCFK209**

Dimensions

H = 174

H1 = 76

L = 106

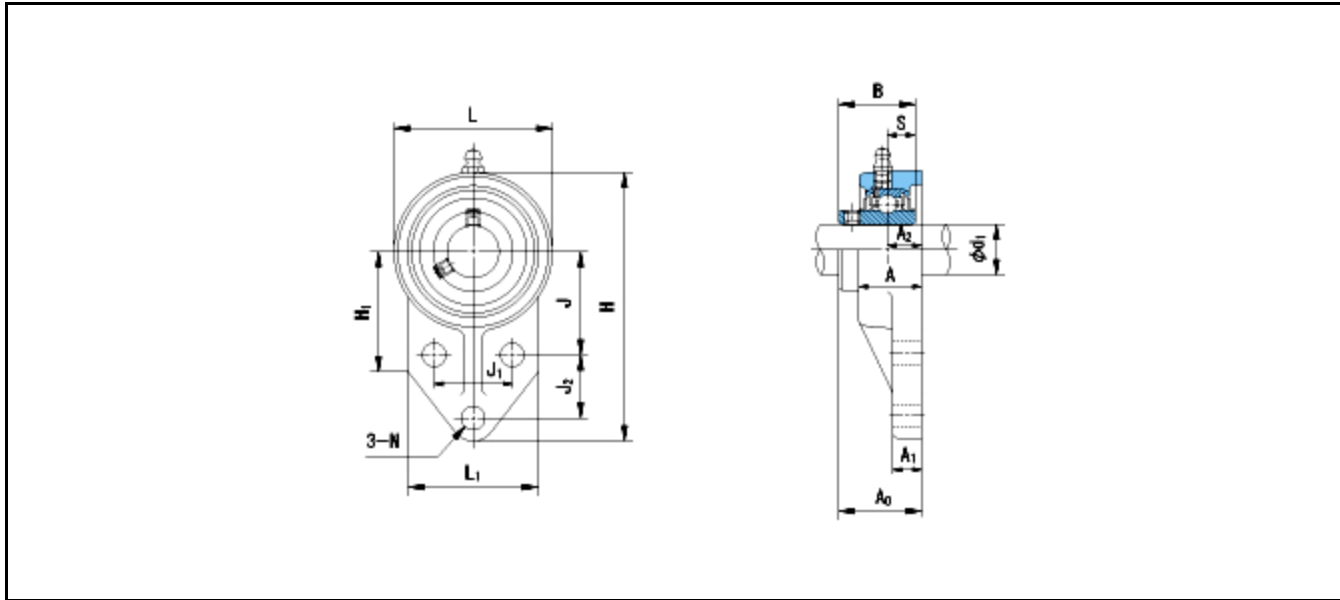
L1 = 80

J = 65

J1 = 54

J2 = 43

N = 12



Dimensions

d1 = 45

A = 38

A1 = 18

A2 = 22

A0 = 52.2

B = 49.2

S = 19

Mass = 1.9 kg

Basic Dynamic Load Rating Cr :	<b>33000 N</b>		
Basic Static Load Rating Cor :	<b>20500 N</b>	O.D.Surface Runout with Side :	-
Limiting Speed ;		Axial Runout with Bore :	-
Grease Lubrication :	- rpm	Axial Runout with Raceway :	-
Oil Lubrication :	- rpm	Width Variation :	-
		Radial Runout :	-